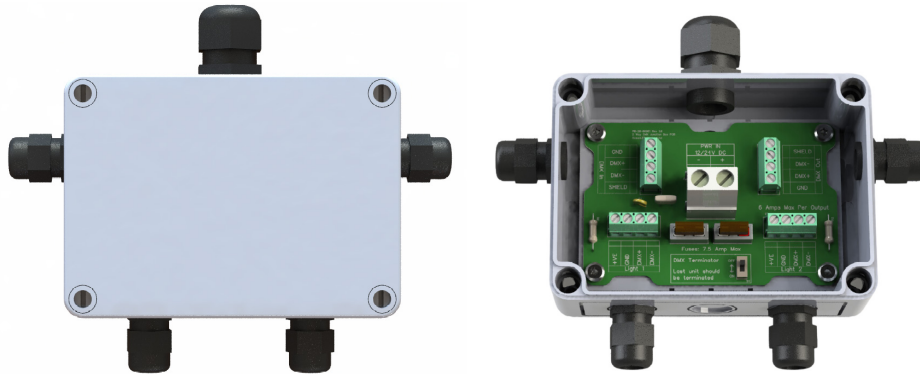




2-WAY DMX JUNCTION BOX

SPECIFICATION SHEET



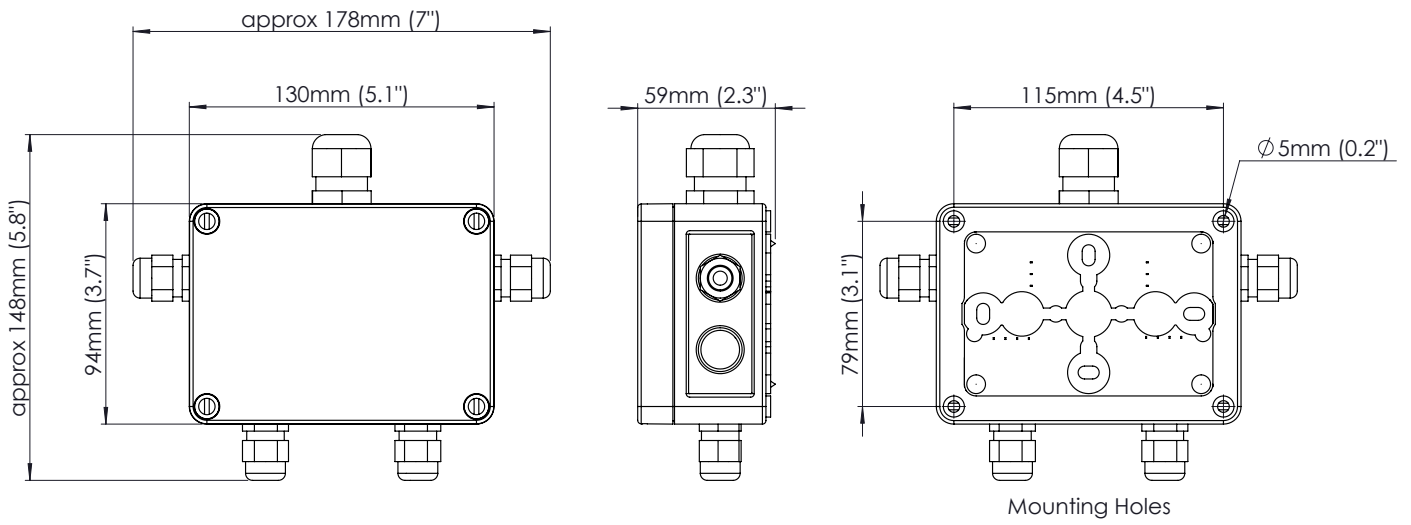
The 2-Way DMX Junction Box has been specifically developed to work in combination with OceanLED Sport Colours DMX lights and Explore E3 Colours DMX lights.

Its primary role is to allow for the distribution of power and DMX signals within the vessel's underwater lighting system. Using the 2-Way DMX Junction box, a Sport Colours DMX or Explore E3 Colours DMX system can be expanded to include up to 32 lights.

The IP66-rated 2-Way Junction Box unit is made from robust polycarbonate materials and should be mounted in a protected area within the vessel.

PHYSICAL		CONTENTS	
Material	Polycarbonate	2-Way DMX Junction Box	
Dimensions	180mm x 120mm x 60mm (7.1" x 4.7" x 2.3")	Screw and Gromit Kit	
Weight	270g	PART NUMBERS	
TECHNICAL		2-Way DMX Junction Box	013205
Operating Voltage	12/24v (10V - 32V) DC	COMPATIBLE PRODUCTS	
Input Output Cable Glands	IP68 (1x M20, 4x M16)	Sport Colours DMX	
Input terminals wire gauge	8 to 20 AWG	Explore E3 Colours DMX	
Output terminal wire gauge	12 to 28 AWG		
Outputs	2 x individual fused 7.5 Amp each max		

DIMENSIONS



CONNECTION EXAMPLE

