

The logo consists of the text "OceanLED" in a bold, white, sans-serif font, centered within a dark blue rounded rectangle with a white border.

OceanLED

OceanBridge

SYSTEM SETUP GUIDE

Contents

PAGES

4-5	OceanBridge Power Connection	28-29	External DMX controller connection
6-7	External Switch Connections	30-31	Oceanconnect connection
8-9	NMEA 2000 Connection	32-33	2-way junction box connection
10-11	Typical Audio Setup With External Amplifier	34-35	DMX connection - Pro series 2010 & 3010
12-13	Typical Audio Setup With Advanced System	36-37	Oceanbridge & Oceanconnect connection
14-15	Bluetooth Only Audio Setup With External Amplifier	40-41	Complete system - Example system one
18-19	Garmin MFD install - Ethernet connection	42-43	Complete system - Example system two
20-21	Raymarine MFD install - Ethernet connection	44-45	Complete system - NMEA with 3 rd party lights & X-series
22-23	Furuno MFD install - Ethernet connection	46-47	Complete system - 3 rd party system - Direct power with sport series
24-25	Simrad MFD install - Ethernet connection (Navico group)		

LIGHT. *YEARS AHEAD.*



BASIC SYSTEM SETUP

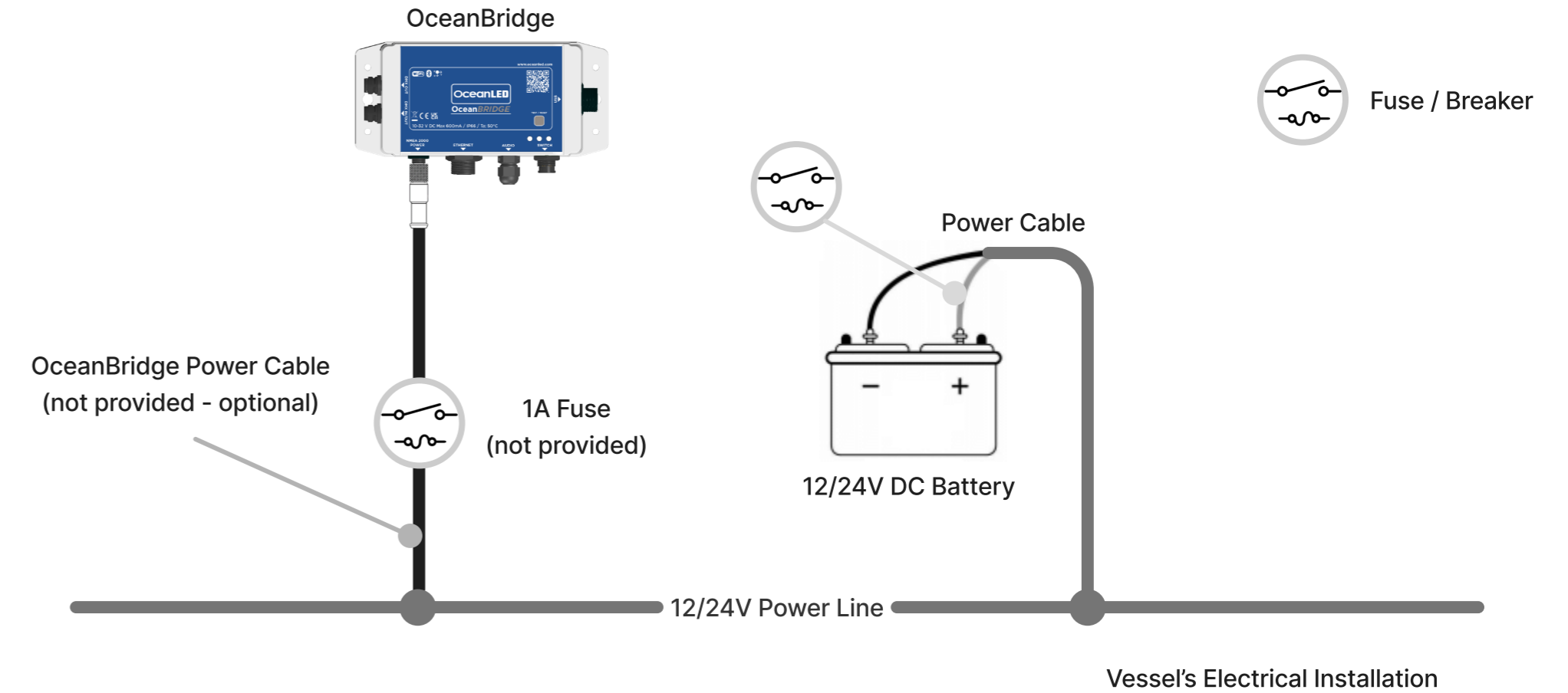
OceanBridge Power Connection

PRODUCT CODE	PRODUCT DESCRIPTION
013201	OceanBridge Unit
013202	OceanBridge Power Cable

LIGHT. YEARS AHEAD.



OceanBridge Power Connection



External Switch Connections

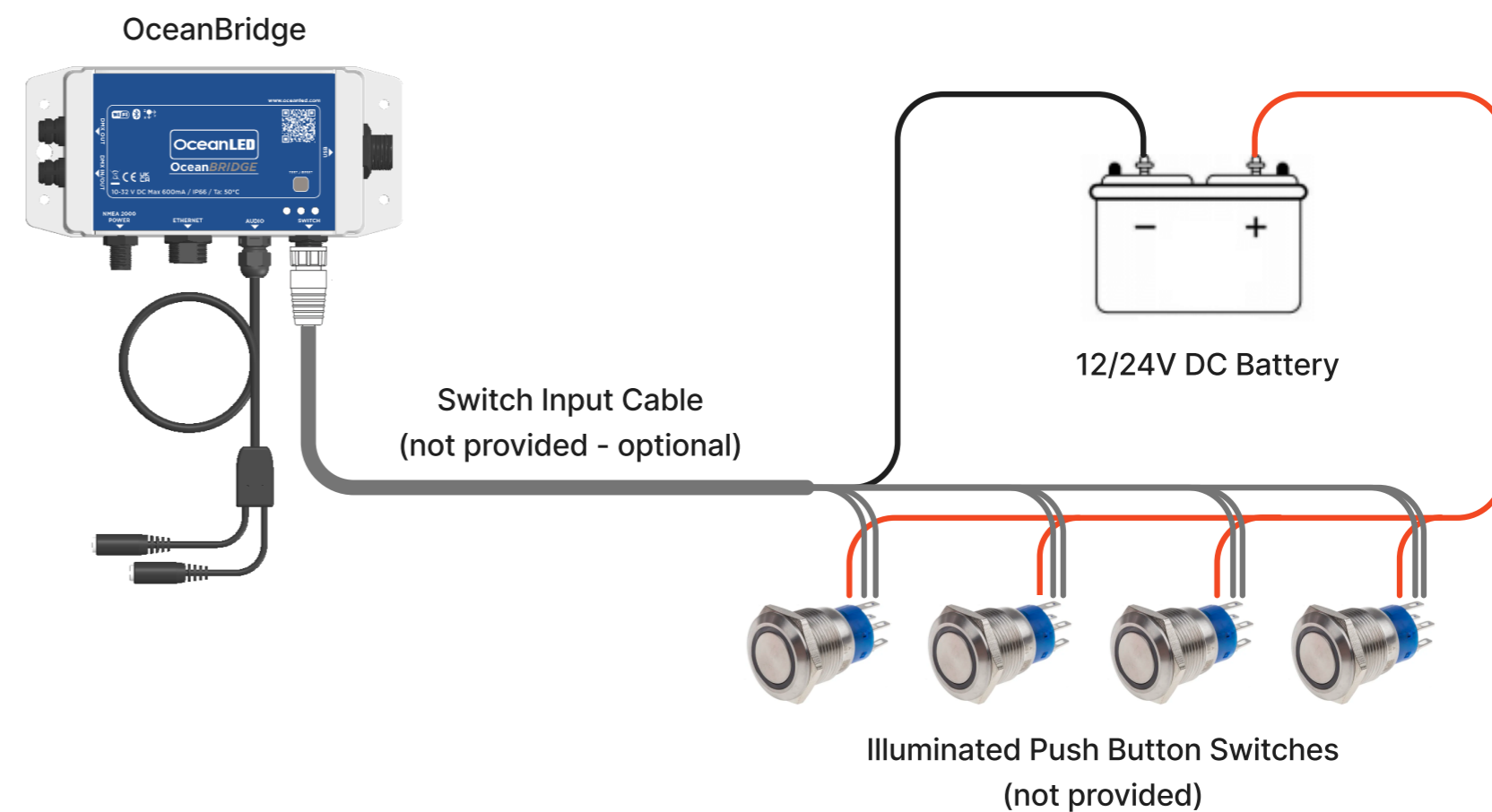
PRODUCT CODE	PRODUCT DESCRIPTION
013201	OceanBridge Unit

PRODUCT CODE	PRODUCT DESCRIPTION
013203	Switch Input Cable



LIGHT. YEARS AHEAD.

External Switch Connections



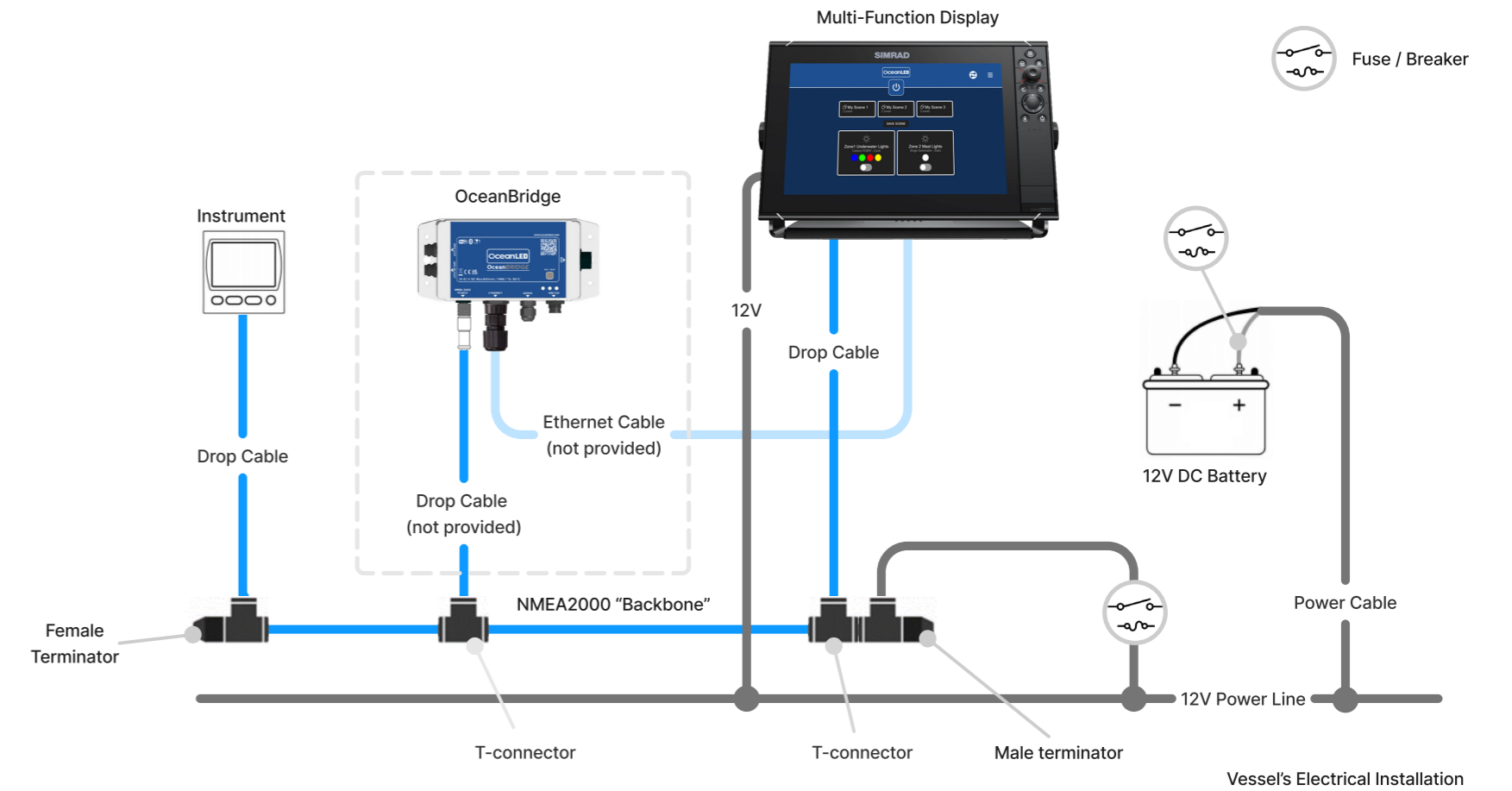
NMEA 2000 Connection

PRODUCT CODE	PRODUCT DESCRIPTION
013201	OceanBridge Unit

LIGHT. YEARS AHEAD.



NMEA 2000 Connection



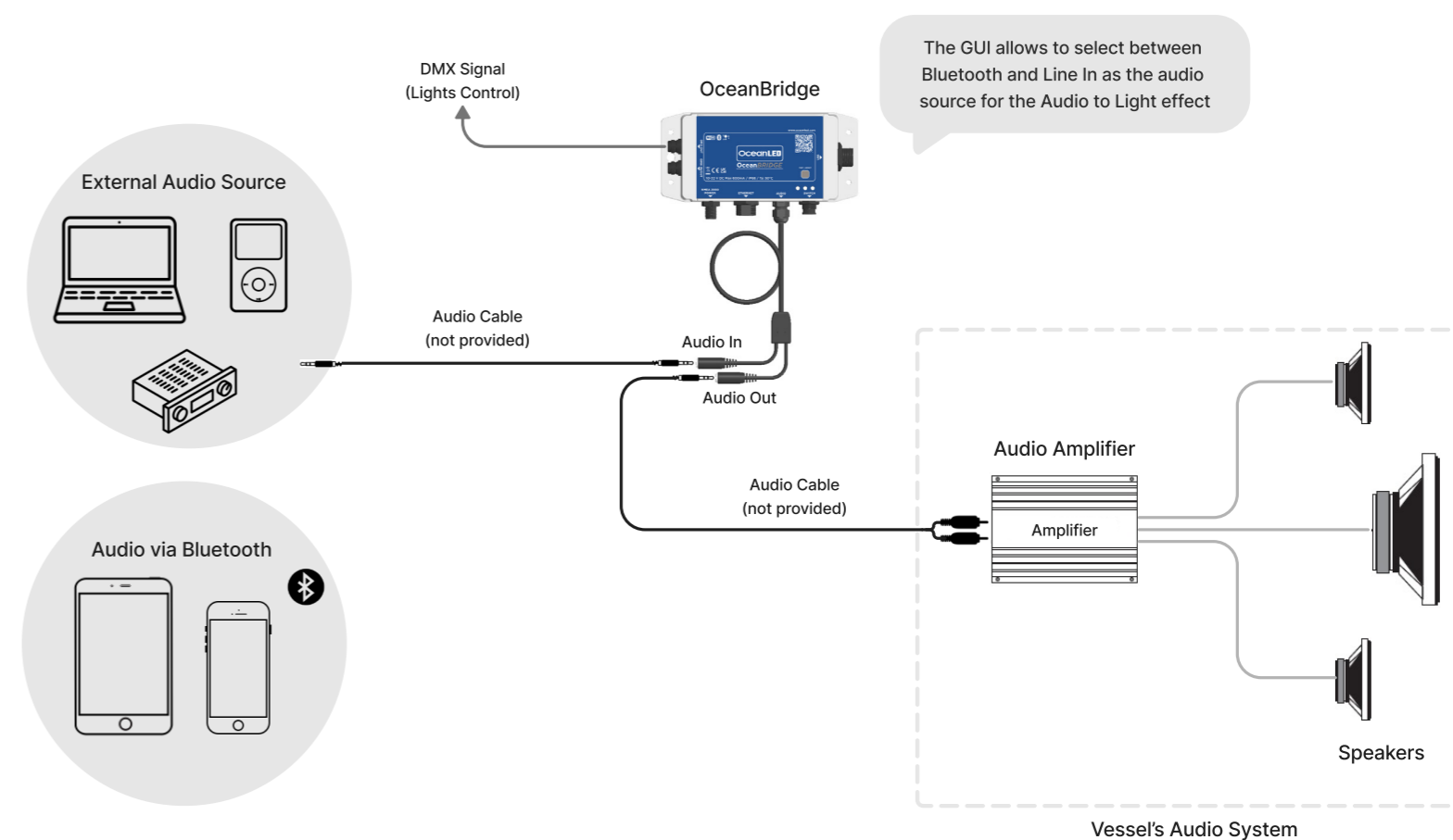
Typical Audio Setup With External Amplifier

PRODUCT CODE	PRODUCT DESCRIPTION
013201	OceanBridge Unit

LIGHT. YEARS AHEAD.



Typical Audio Setup With External Amplifier



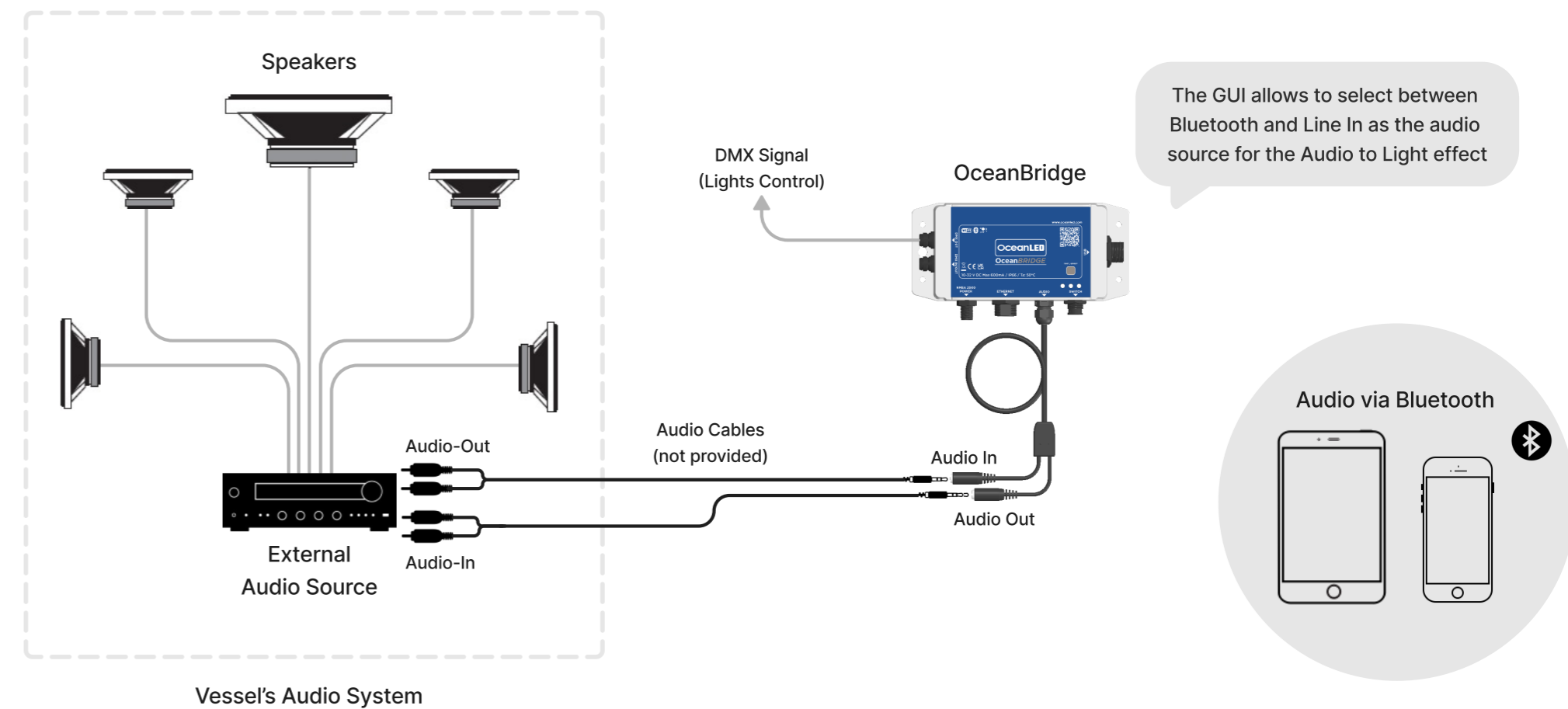
Typical Audio Setup With Advanced System

PRODUCT CODE	PRODUCT DESCRIPTION
013201	OceanBridge Unit

LIGHT. YEARS AHEAD.

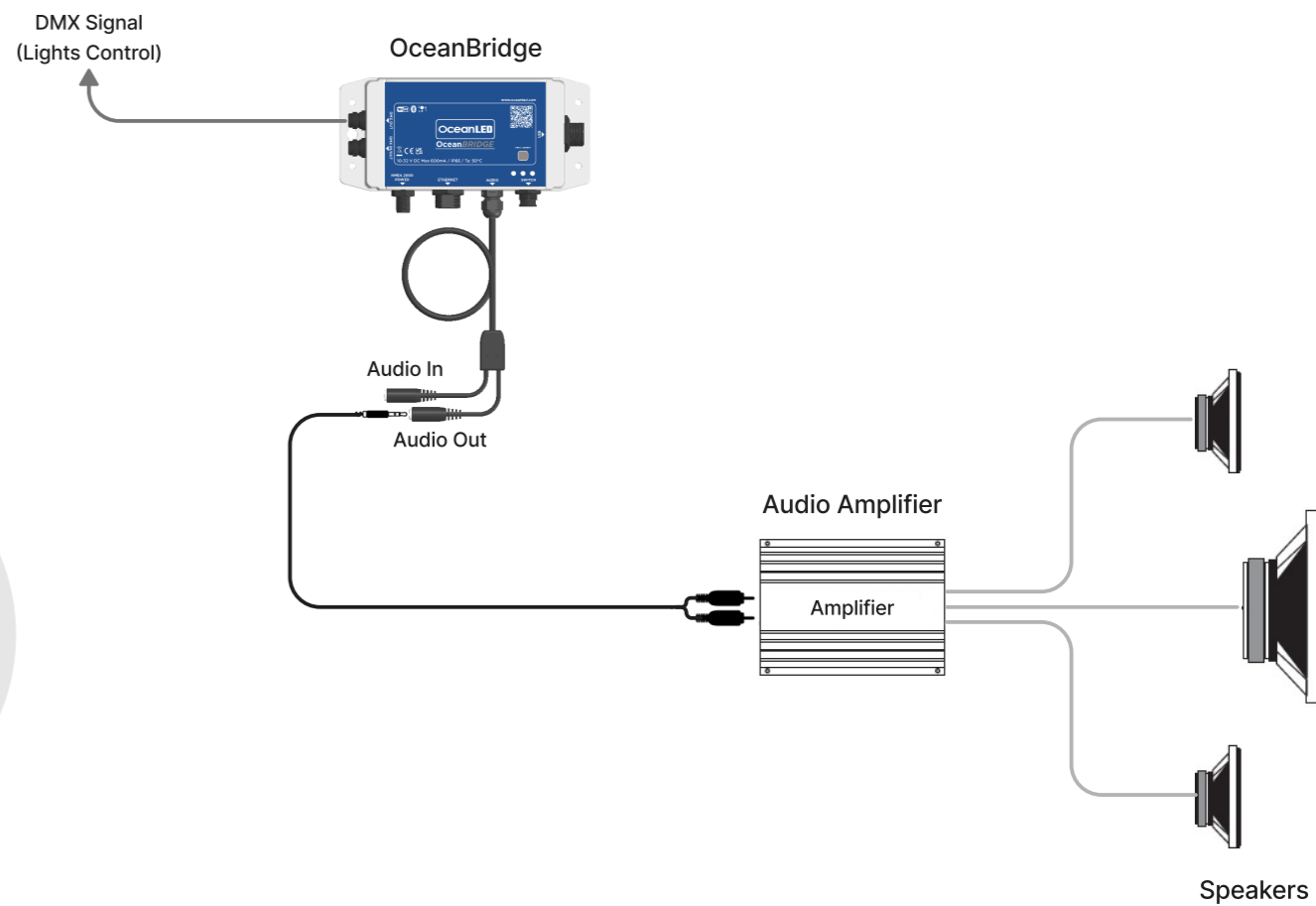
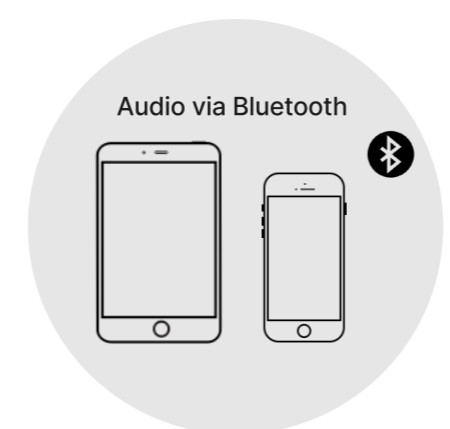


Typical Audio Setup With Advanced System



Bluetooth Only Audio Setup With External Amplifier

PRODUCT CODE	PRODUCT DESCRIPTION
013201	OceanBridge Unit



LIGHT. YEARS AHEAD.



Bluetooth Only Audio Setup With External Amplifier

LIGHT. *YEARS AHEAD.*



MFD INTEGRATION

MFD INTEGRATION

MFD Integration

GARMIN MFD INSTALL - ETHERNET CONNECTION

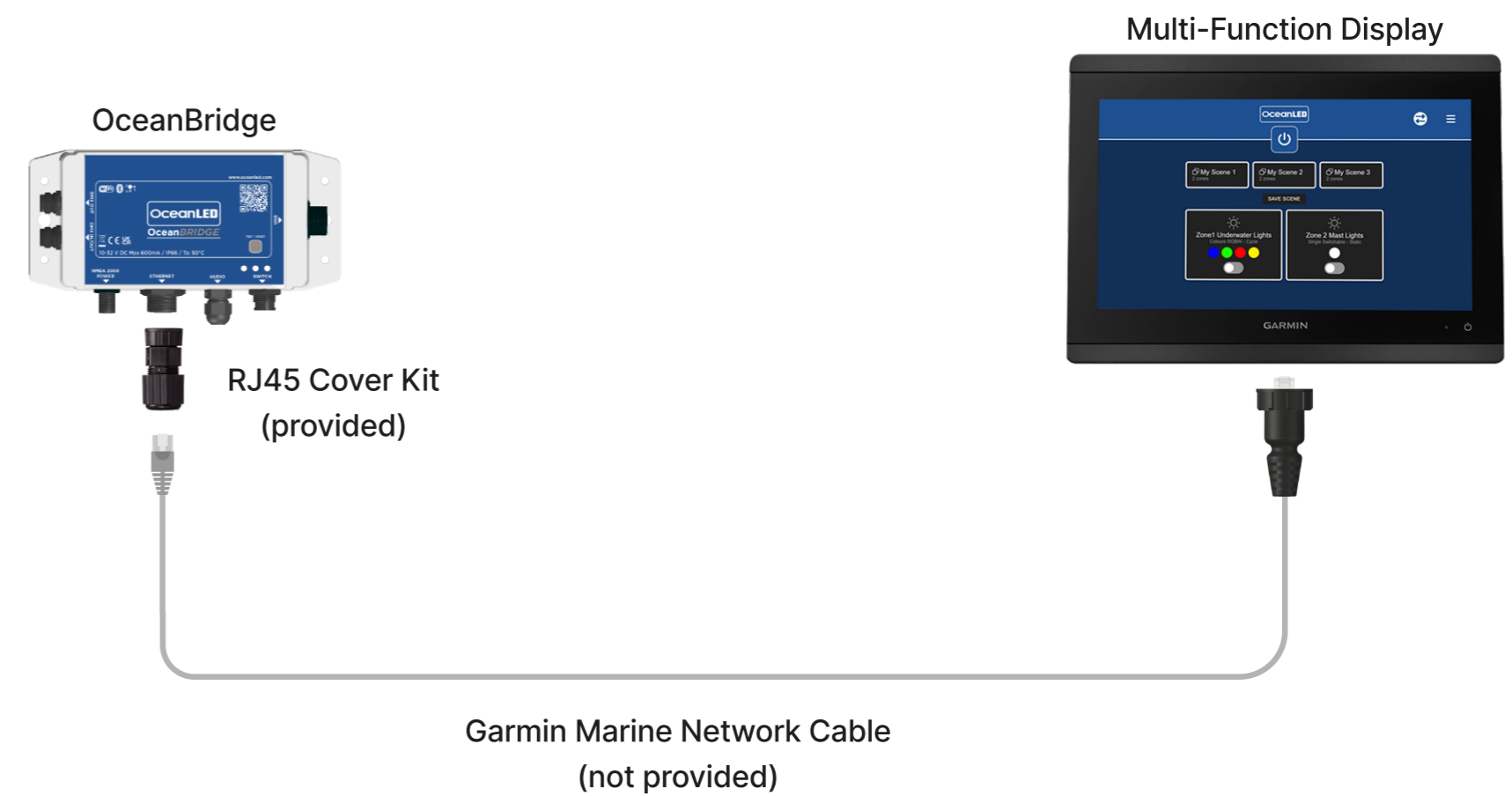
PRODUCT CODE	PRODUCT DESCRIPTION
013201	OceanBridge Unit



LIGHT. YEARS AHEAD.

MFD Integration

GARMIN MFD INSTALL - ETHERNET CONNECTION



MFD Integration

RAYMARINE MFD INSTALL - ETHERNET CONNECTION

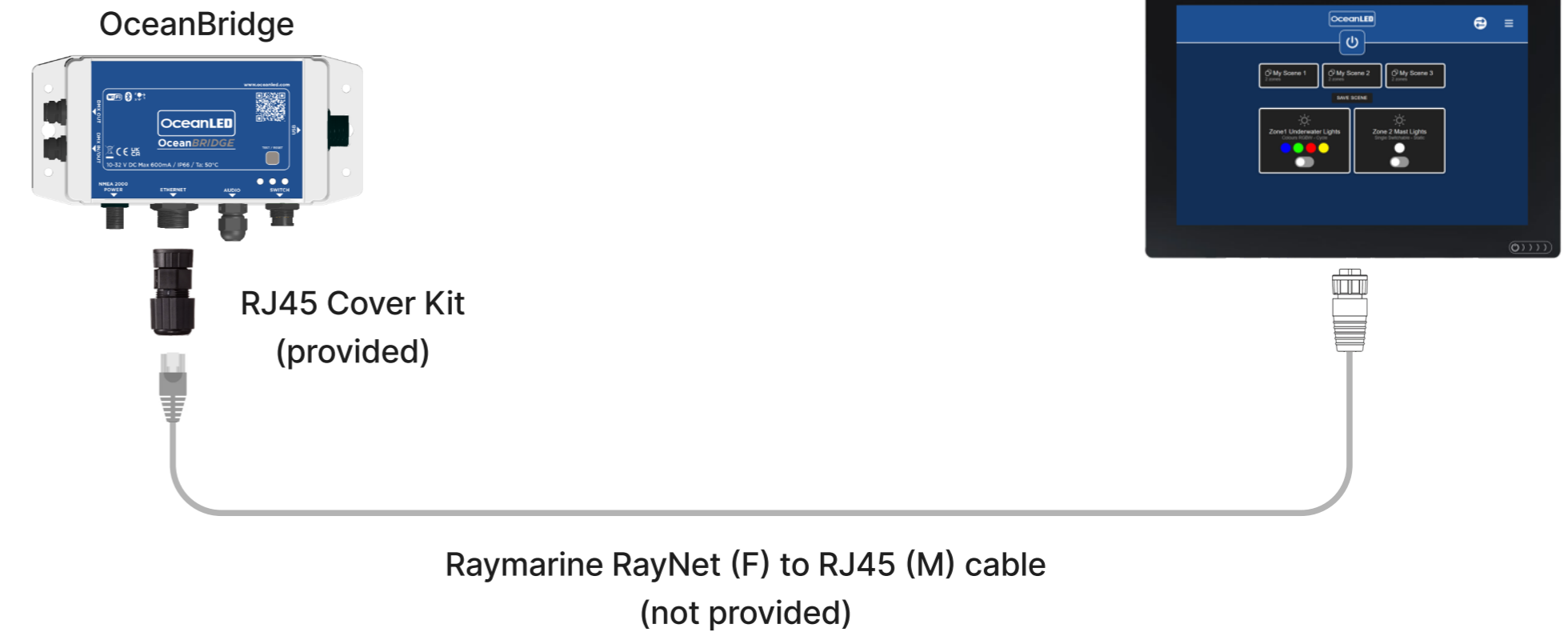
PRODUCT CODE	PRODUCT DESCRIPTION
013201	OceanBridge Unit

LIGHT. YEARS AHEAD.



MFD Integration

RAYMARINE MFD INSTALL - ETHERNET CONNECTION



MFD Integration

FURUNO MFD INSTALL - ETHERNET CONNECTION

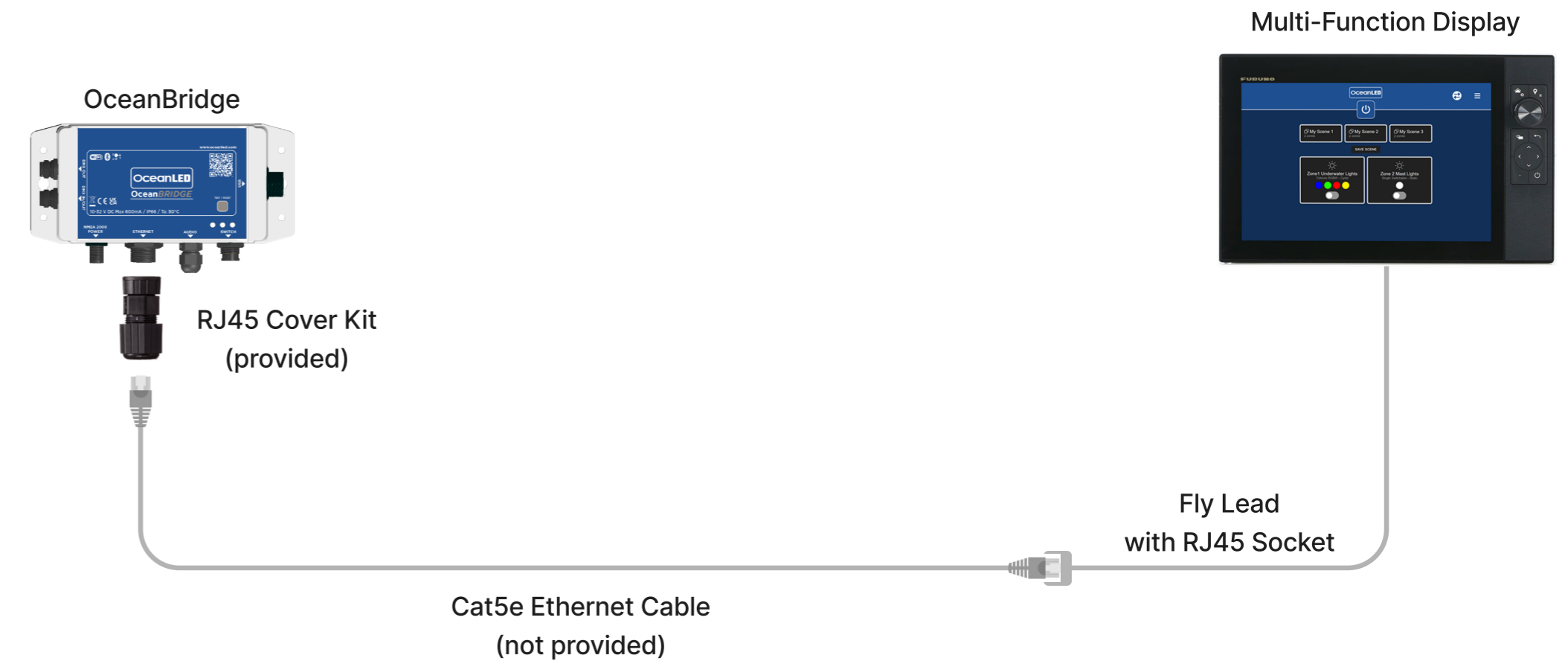
PRODUCT CODE	PRODUCT DESCRIPTION
013201	OceanBridge Unit



LIGHT. YEARS AHEAD.

MFD Integration

FURUNO MFD INSTALL - ETHERNET CONNECTION



MFD Integration

SIMRAD MFD INSTALL - ETHERNET CONNECTION (NAVICO GROUP)

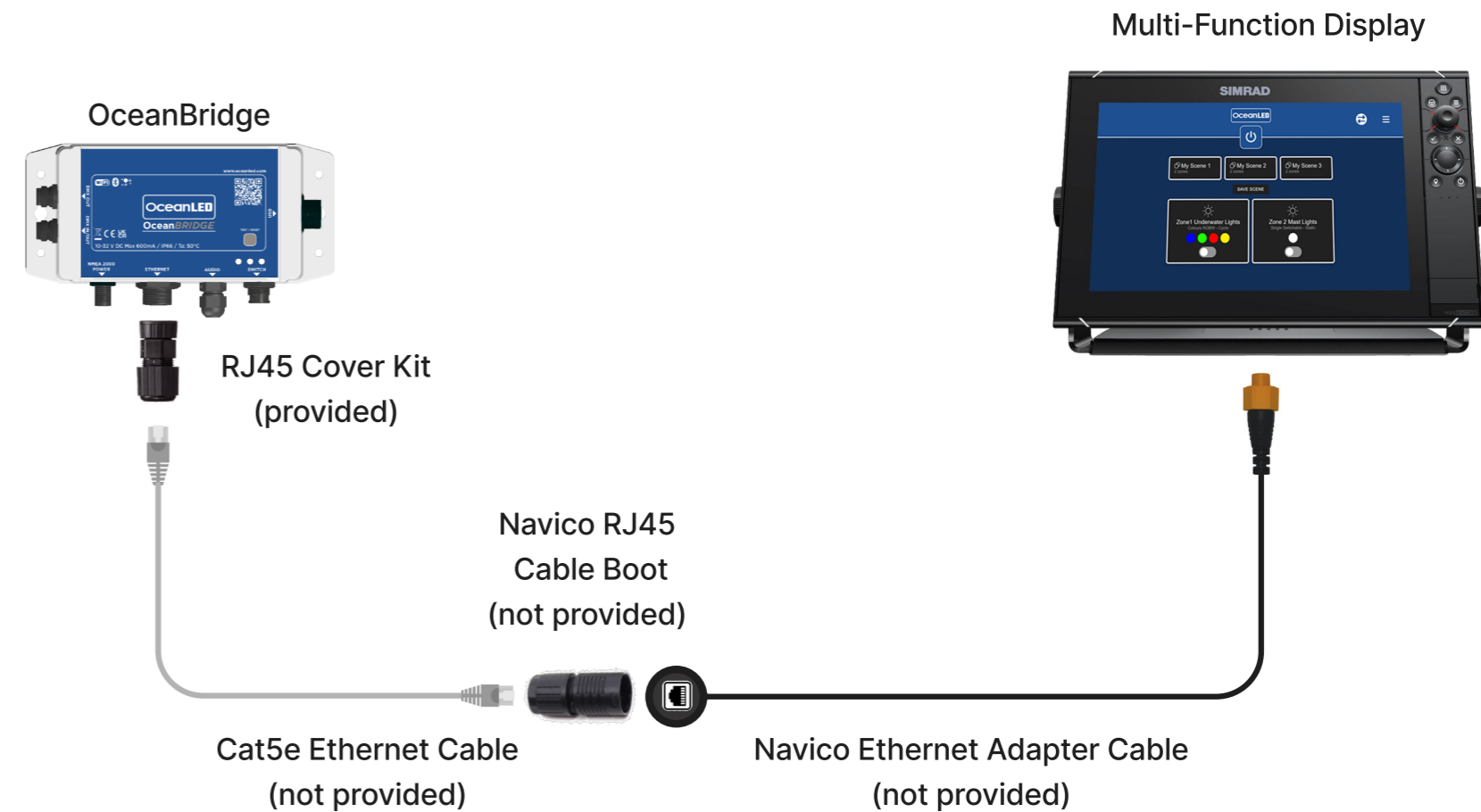
PRODUCT CODE	PRODUCT DESCRIPTION
013201	OceanBridge Unit



LIGHT. YEARS AHEAD.

MFD Integration

SIMRAD MFD INSTALL - ETHERNET CONNECTION (NAVICO GROUP)



LIGHT. *YEARS AHEAD.*



SYSTEM SPECIFICS

SYSTEM SPECIFICS

System Specifics

EXTERNAL DMX CONTROLLER CONNECTION

PRODUCT CODE	PRODUCT DESCRIPTION
013201	OceanBridge Unit

PRODUCT CODE	PRODUCT DESCRIPTION
011045	DMX Control Output Cable (3m)
011046	DMX Control Output Cable (5m)
011047	DMX Control Output Cable (10m)
011048	DMX Control Output Cable (15m)
011049	DMX Control Output Cable (20m)

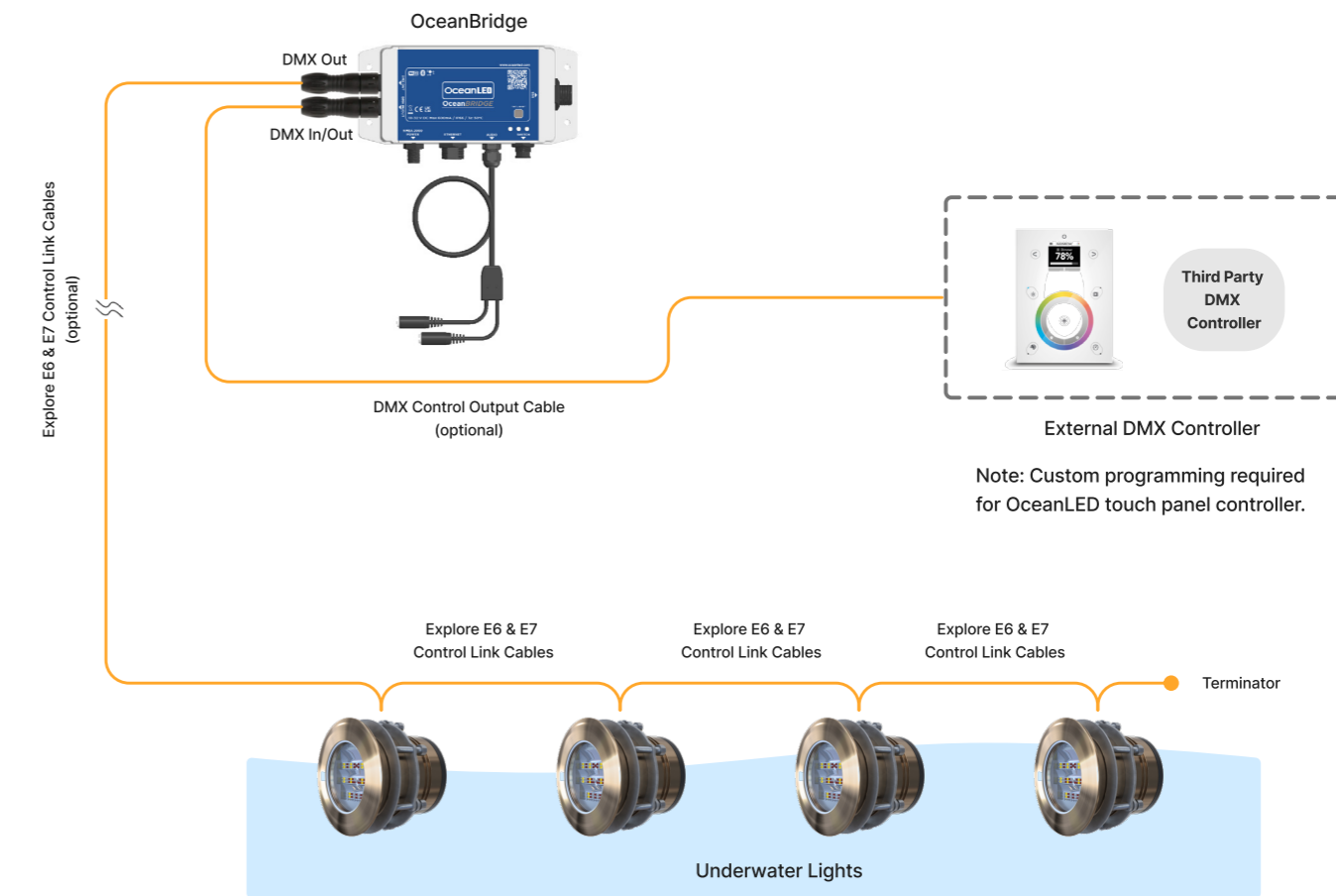
PRODUCT CODE	PRODUCT DESCRIPTION
012924	Explore E6 & E7 Control Link Cable (3m)
012925	Explore E6 & E7 Control Link Cable (5m)
012926	Explore E6 & E7 Control Link Cable (10m)
012927	Explore E6 & E7 Control Link Cable (15m)
012928	Explore E6 & E7 Control Link Cable (20m)



LIGHT. YEARS AHEAD.

System Specifics

EXTERNAL DMX CONTROLLER CONNECTION



System Specifics

OCEANCONNECT CONNECTION

For the N2K setups the power to the OceanBridge device will be provided from the N2K network via the N2K drop cable.

PRODUCT CODE	PRODUCT DESCRIPTION
013201	OceanBridge Unit
013204	OceanConnect Junction Box

PRODUCT CODE	PRODUCT DESCRIPTION
011045	DMX Control Output Cable (3m)
011046	DMX Control Output Cable (5m)
011047	DMX Control Output Cable (10m)
011048	DMX Control Output Cable (15m)
011049	DMX Control Output Cable (20m)

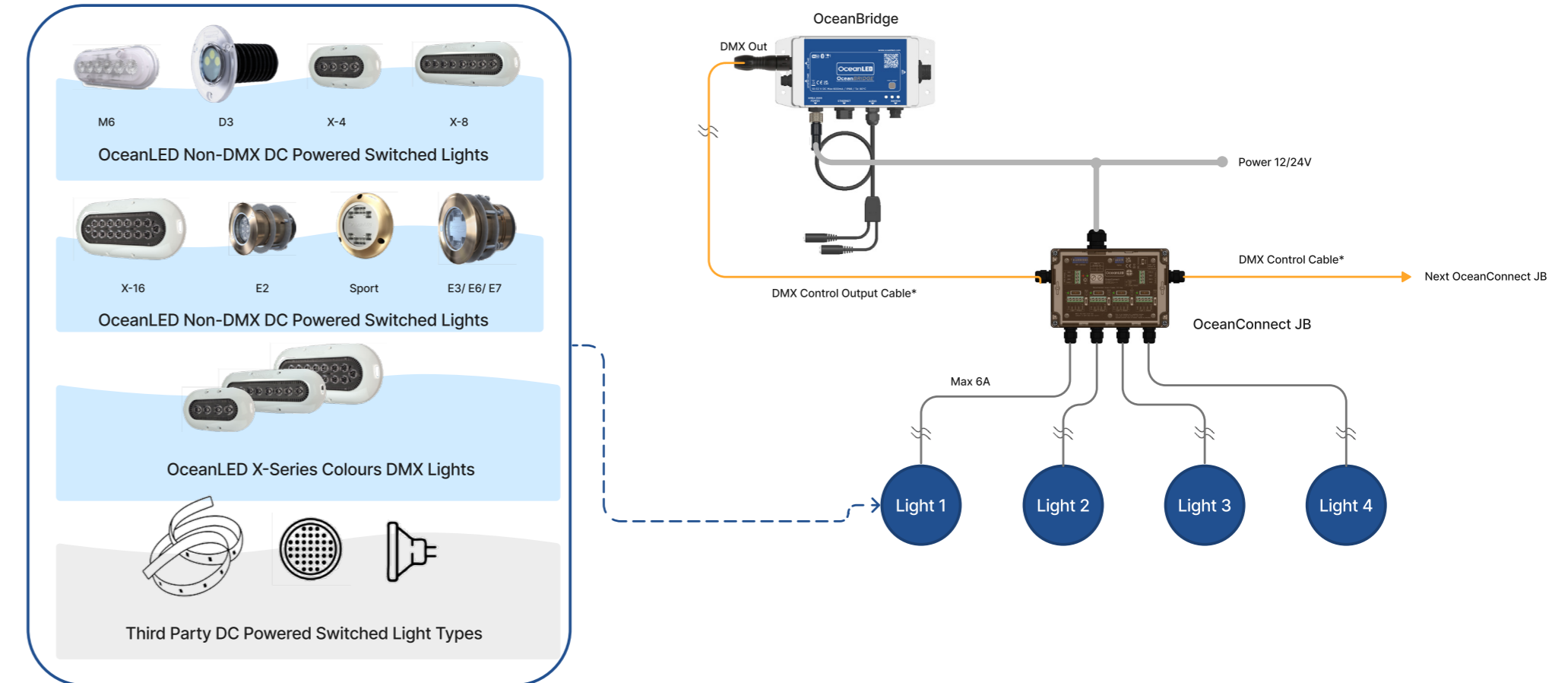
PRODUCT CODE	PRODUCT DESCRIPTION
011703	DMX Control Cable (3m)
011706	DMX Control Cable (5m)
011707	DMX Control Cable (10m)
011708	DMX Control Cable (15m)
011709	DMX Control Cable (20m)
011710	DMX Control Cable (25m)



LIGHT. YEARS AHEAD.

System Specifics

OCEANCONNECT CONNECTION



System Specifics

2-WAY JUNCTION BOX CONNECTION

For N2K setups, power to the OceanBridge device will be provided from the N2K network via the N2K drop cable.

PRODUCT CODE	PRODUCT DESCRIPTION
013201	OceanBridge Unit
013205	2-Way DMX Junction Box

PRODUCT CODE	PRODUCT DESCRIPTION
011703	DMX Control Cable (3m)
011706	DMX Control Cable (5m)
011707	DMX Control Cable (10m)
011708	DMX Control Cable (15m)
011709	DMX Control Cable (20m)
011710	DMX Control Cable (25m)

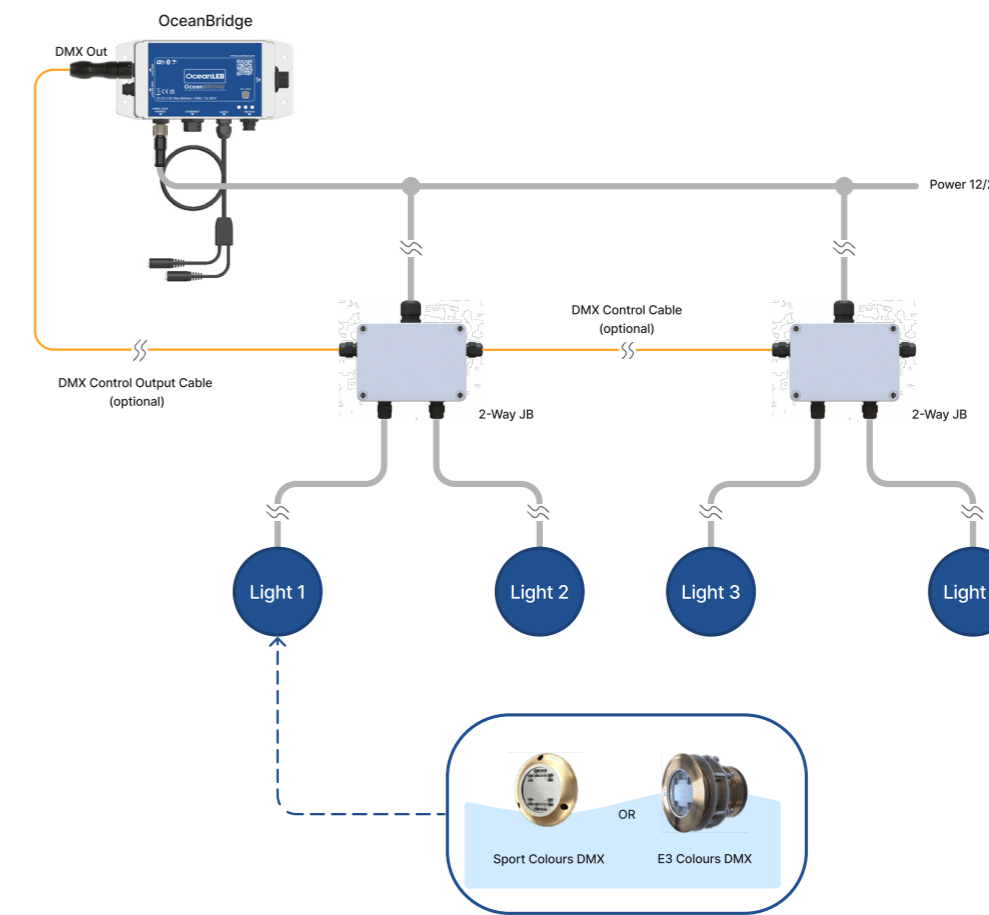
PRODUCT CODE	PRODUCT DESCRIPTION
011045	DMX Control Output Cable (3m)
011046	DMX Control Output Cable (5m)
011047	DMX Control Output Cable (10m)
011048	DMX Control Output Cable (15m)
011049	DMX Control Output Cable (20m)



LIGHT. YEARS AHEAD.

System Specifics

2-WAY JUNCTION BOX CONNECTION



System Specifics

DMX CONNECTION - PRO SERIES 2010 & 3010

For the N2K setups the power to the OceanBridge device will be provided from the N2K network via the N2K drop cable.

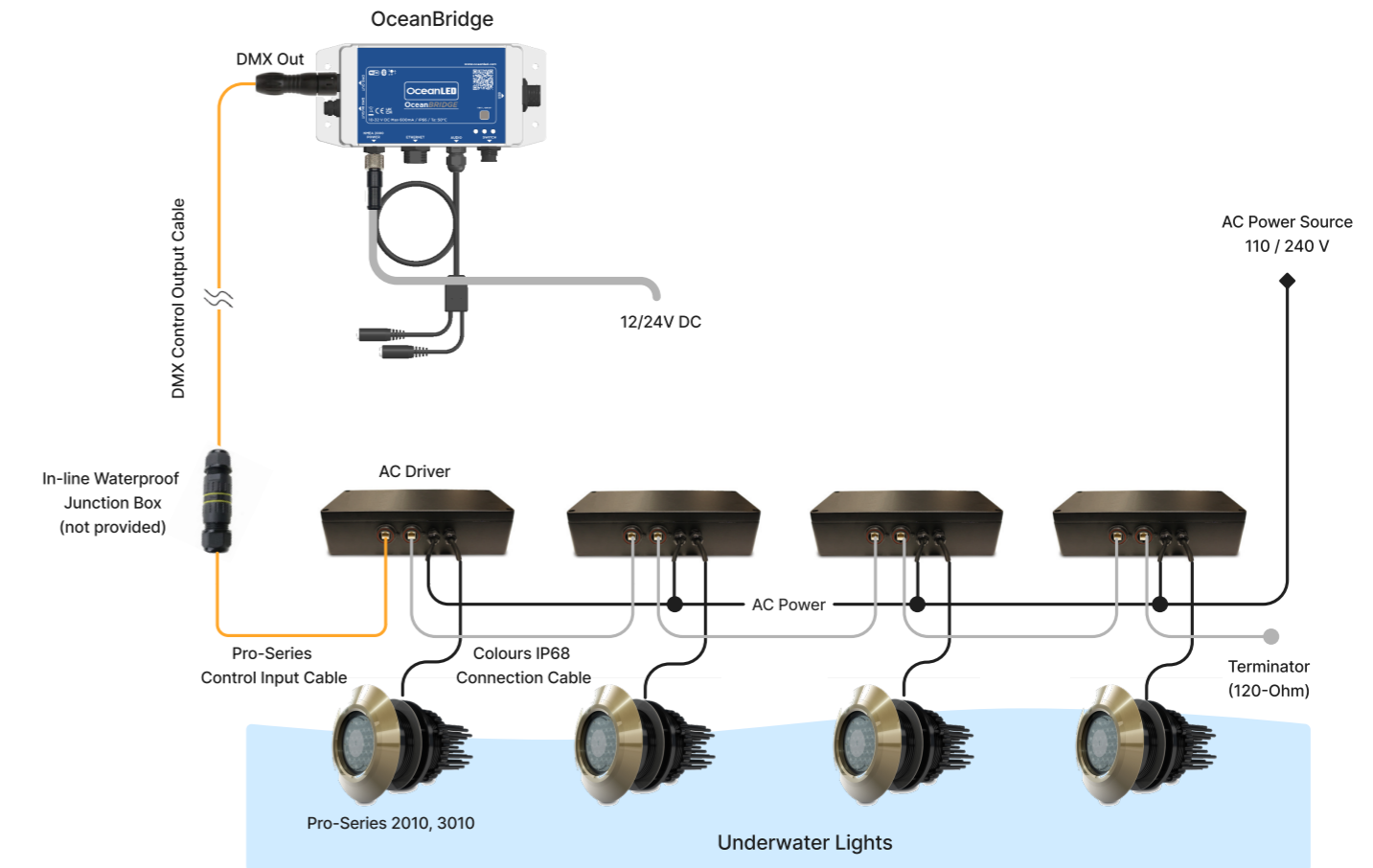
PRODUCT CODE	PRODUCT DESCRIPTION
013201	OceanBridge Unit
PRODUCT CODE	PRODUCT DESCRIPTION
001-500594	Colours IP68 Connection Cable (3m)
PRODUCT CODE	PRODUCT DESCRIPTION
011608	Pro-Series Control Input Cable (5m)
PRODUCT CODE	PRODUCT DESCRIPTION
001-500567	Colours IP68 Circuit Terminator
PRODUCT CODE	PRODUCT DESCRIPTION
011045	DMX Control Output Cable (3m)
011046	DMX Control Output Cable (5m)
011047	DMX Control Output Cable (10m)
011048	DMX Control Output Cable (15m)
011049	DMX Control Output Cable (20m)



LIGHT. YEARS AHEAD.

System Specifics

DMX CONNECTION - PRO SERIES 2010 & 3010



System Specifics

OCEANBRIDGE & OCEANCONNECT CONNECTION

For the N2K setups the power to the OceanBridge device will be provided from the N2K network via the N2K drop cable.

PRODUCT CODE	PRODUCT DESCRIPTION
013201	OceanBridge Unit
013204	OceanConnect Junction Box

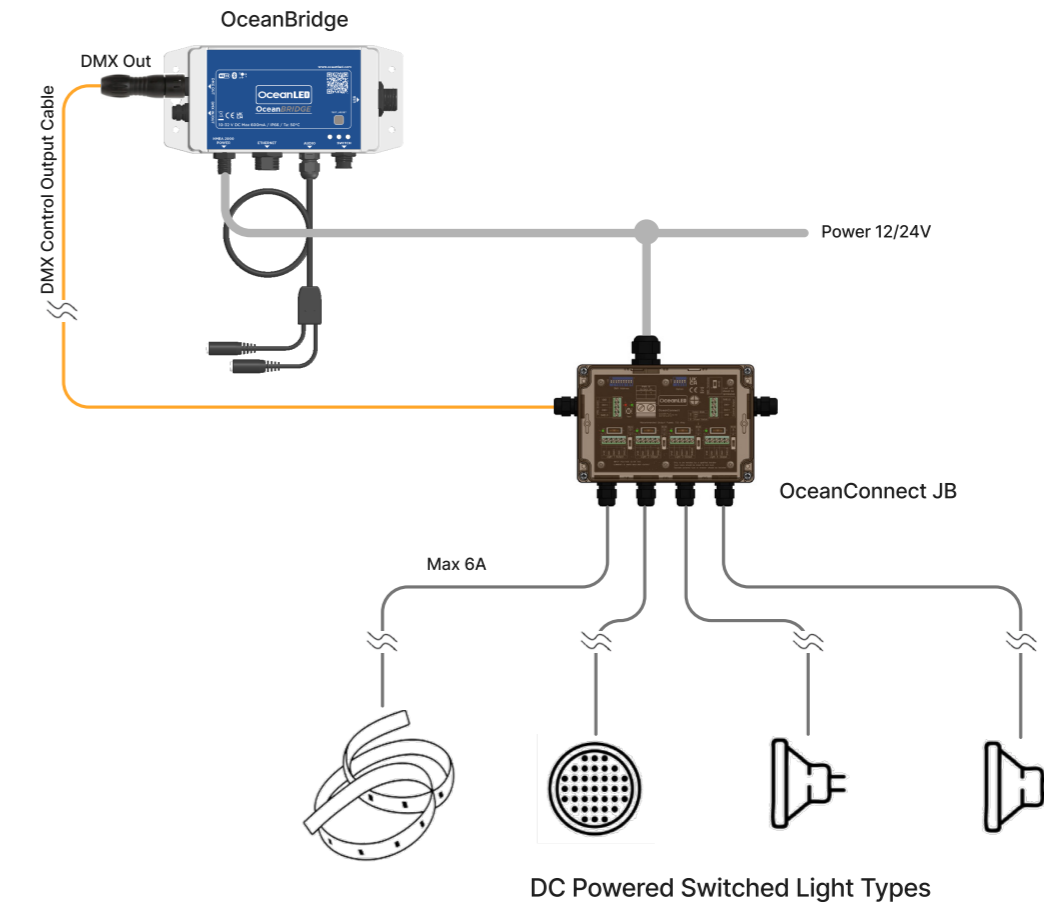
PRODUCT CODE	PRODUCT DESCRIPTION
011045	DMX Control Output Cable (3m)
011046	DMX Control Output Cable (5m)
011047	DMX Control Output Cable (10m)
011048	DMX Control Output Cable (15m)
011049	DMX Control Output Cable (20m)



LIGHT. YEARS AHEAD.

System Specifics

OCEANBRIDGE & OCEANCONNECT CONNECTION



LIGHT. *YEARS AHEAD.*



COMPLETE SYSTEM EXAMPLES

COMPLETE SYSTEM EXAMPLES

Complete System Examples

EXAMPLE SYSTEM ONE

PRODUCT CODE	PRODUCT DESCRIPTION
013201	OceanBridge Unit

PRODUCT CODE	PRODUCT DESCRIPTION
013202	OceanBridge Power Cable

PRODUCT CODE	PRODUCT DESCRIPTION
012924	Explore E6 & E7 Control Link Cable (3m)
012925	Explore E6 & E7 Control Link Cable (5m)
012926	Explore E6 & E7 Control Link Cable (10m)
012927	Explore E6 & E7 Control Link Cable (15m)
012928	Explore E6 & E7 Control Link Cable (20m)

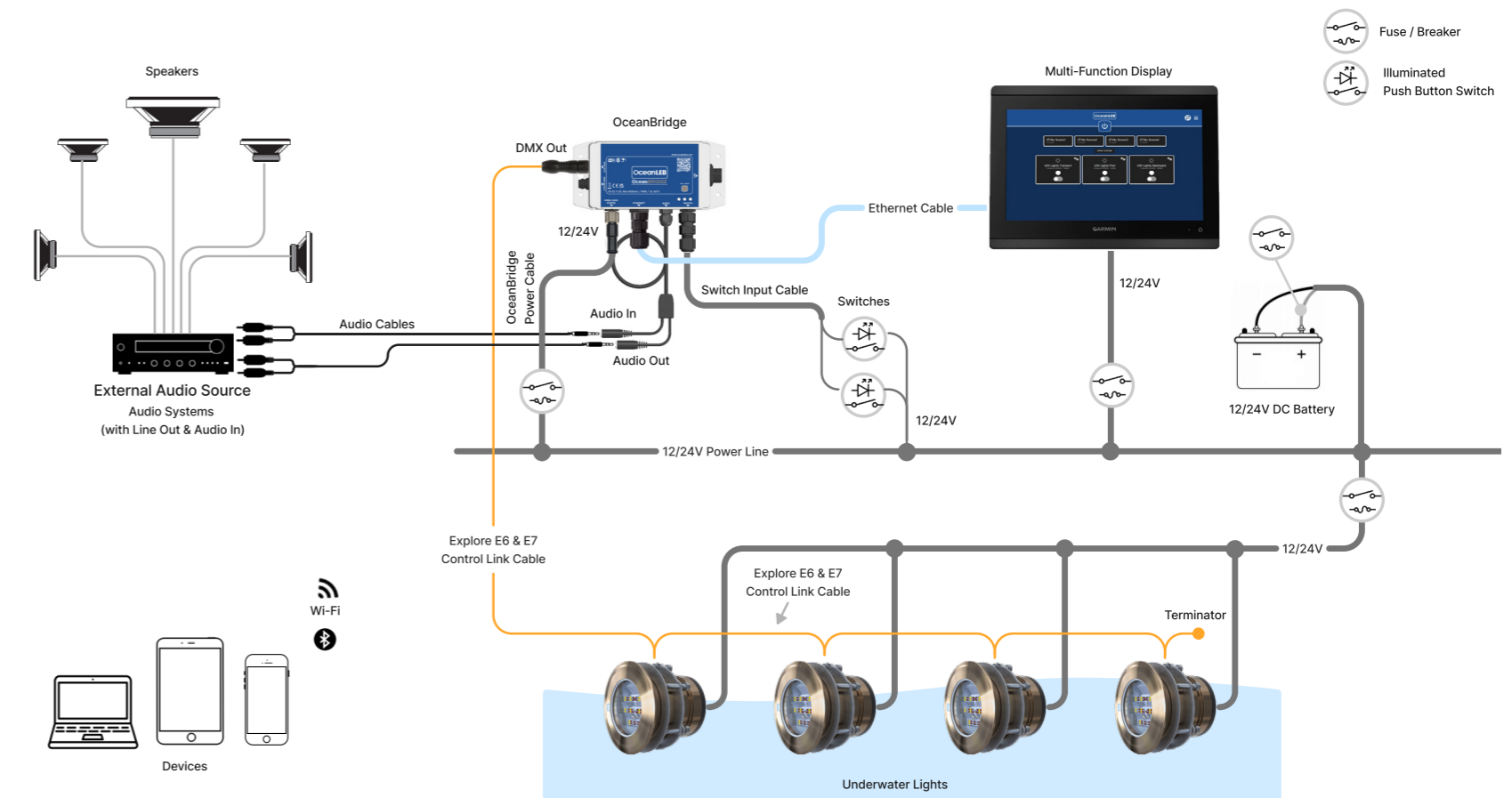
PRODUCT CODE	PRODUCT DESCRIPTION
011044	E6/E7 DMX Terminator



LIGHT. YEARS AHEAD.

Complete System Examples

EXAMPLE SYSTEM ONE



Complete System Examples

EXAMPLE SYSTEM TWO

PRODUCT CODE	PRODUCT DESCRIPTION
013201	OceanBridge Unit

PRODUCT CODE	PRODUCT DESCRIPTION
013203	Switch Input Cable

PRODUCT CODE	PRODUCT DESCRIPTION
012924	Explore E6 & E7 Control Link Cable (3m)
012925	Explore E6 & E7 Control Link Cable (5m)
012926	Explore E6 & E7 Control Link Cable (10m)
012927	Explore E6 & E7 Control Link Cable (15m)
012928	Explore E6 & E7 Control Link Cable (20m)

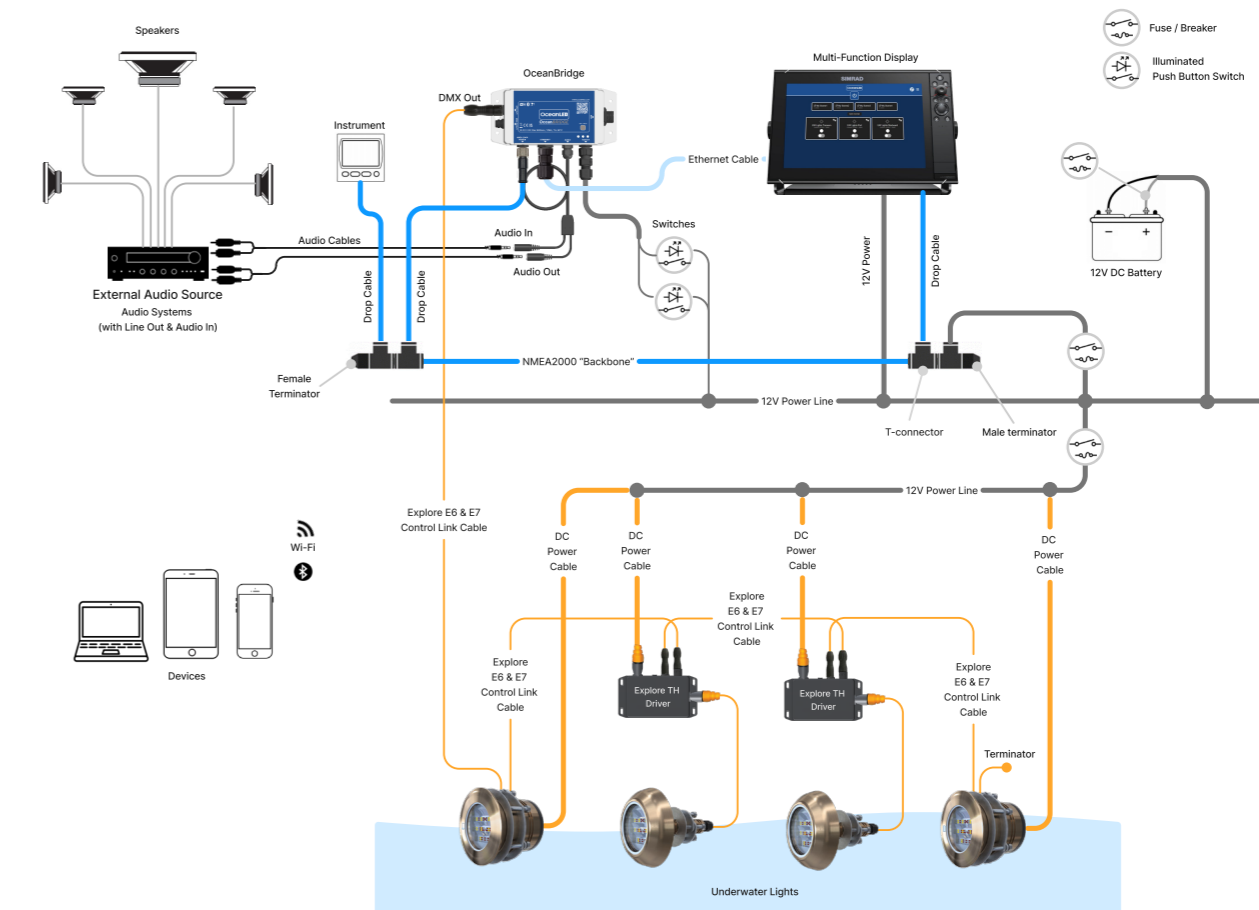
PRODUCT CODE	PRODUCT DESCRIPTION
011044	E6/E7 DMX Terminator



LIGHT. YEARS AHEAD.

Complete System Examples

EXAMPLE SYSTEM TWO



Complete System Examples

NMEA EXAMPLE SYSTEM WITH 3RD PARTY LIGHTS & X-SERIES

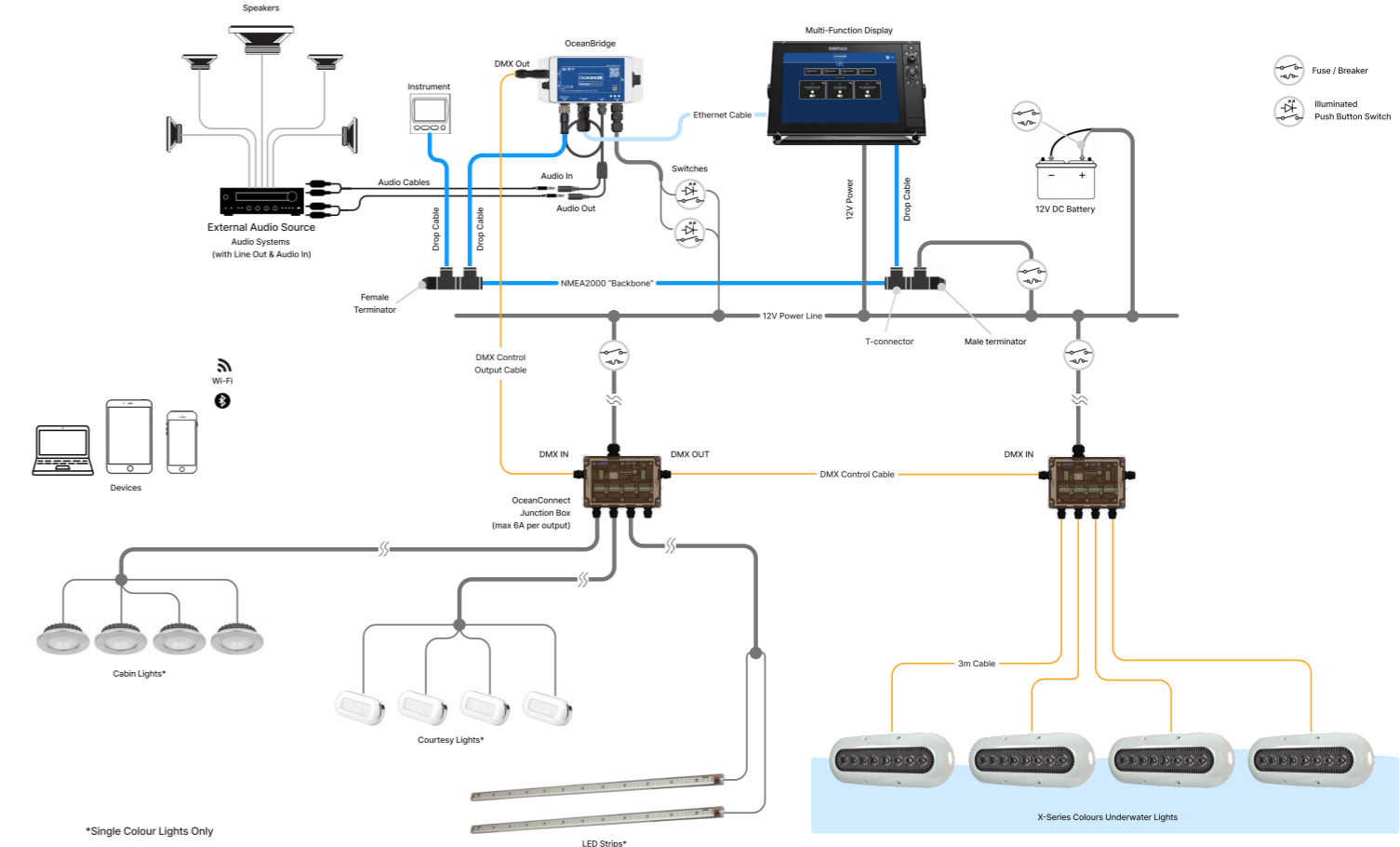
PRODUCT CODE	PRODUCT DESCRIPTION
013201	OceanBridge Unit
013204	OceanConnect Junction Box
PRODUCT CODE	PRODUCT DESCRIPTION
013203	Switch Input Cable
PRODUCT CODE	PRODUCT DESCRIPTION
011703	DMX Control Cable (3m)
011706	DMX Control Cable (5m)
011707	DMX Control Cable (10m)
011708	DMX Control Cable (15m)
011709	DMX Control Cable (20m)
011710	DMX Control Cable (25m)
PRODUCT CODE	PRODUCT DESCRIPTION
011045	DMX Control Output Cable (3m)
011046	DMX Control Output Cable (5m)
011047	DMX Control Output Cable (10m)
011048	DMX Control Output Cable (15m)
011049	DMX Control Output Cable (20m)



LIGHT. YEARS AHEAD.

Complete System Examples

NMEA EXAMPLE SYSTEM WITH 3RD PARTY LIGHTS & X-SERIES



Complete System Examples

3RD PARTY EXAMPLE SYSTEM - DIRECT POWER WITH SPORT SERIES

PRODUCT CODE	PRODUCT DESCRIPTION
013201	OceanBridge Unit

PRODUCT CODE	PRODUCT DESCRIPTION
013204	OceanConnect Junction Box
013205	2-Way DMX Junction Box

PRODUCT CODE	PRODUCT DESCRIPTION
013203	Switch Input Cable
013202	OceanBridge Power Cable

PRODUCT CODE	PRODUCT DESCRIPTION
011703	DMX Control Cable (3m)
011706	DMX Control Cable (5m)
011707	DMX Control Cable (10m)
011708	DMX Control Cable (15m)
011709	DMX Control Cable (20m)
011710	DMX Control Cable (25m)

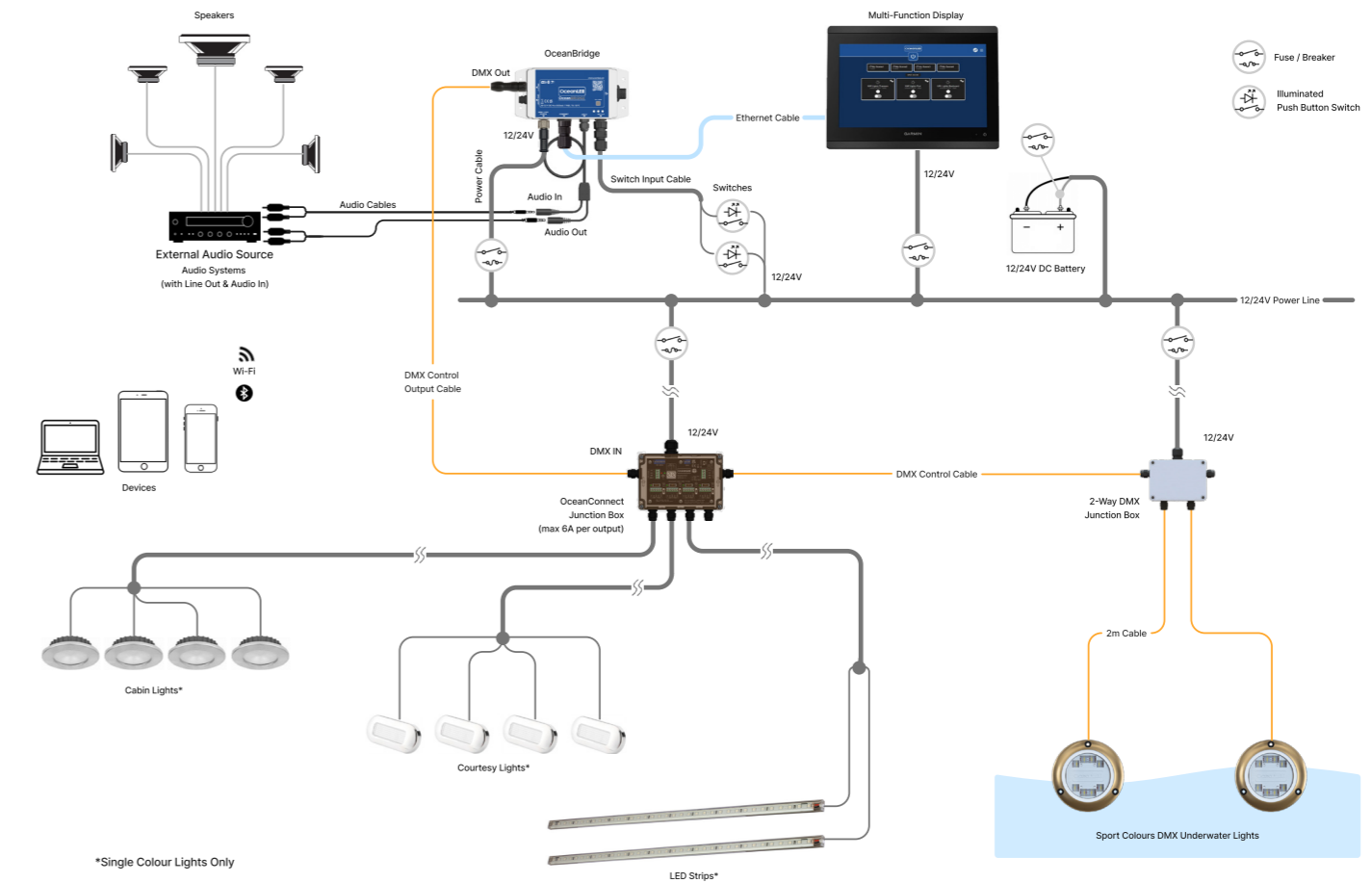
PRODUCT CODE	PRODUCT DESCRIPTION
011045	DMX Control Output Cable (3m)
011046	DMX Control Output Cable (5m)
011047	DMX Control Output Cable (10m)
011048	DMX Control Output Cable (15m)
011049	DMX Control Output Cable (20m)



LIGHT. YEARS AHEAD.

Complete System Examples

3RD PARTY EXAMPLE SYSTEM - DIRECT POWER WITH SPORT SERIES



OceanLED

Questions?

SPEAK TO A MEMBER OF THE TEAM!

UK Office

Tel: +44 1455 637505
Email: sales@oceanled.com

USA Office

Tel: +1 (954) 523-2250
Email: sales@oceanled.com