

KEY FEATURES



3,000*
 Fixture Lumens
* Ultra White measurement



Wide
 Beam Option



Narrow
 Beam Option



IP69k
 Protection

COLOUR



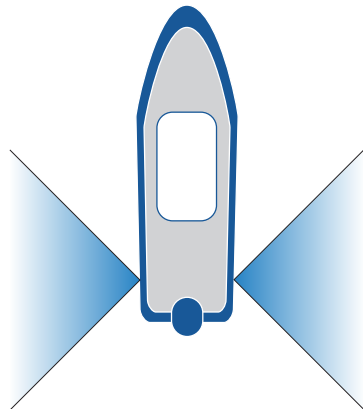
Midnight Blue



Ultra White

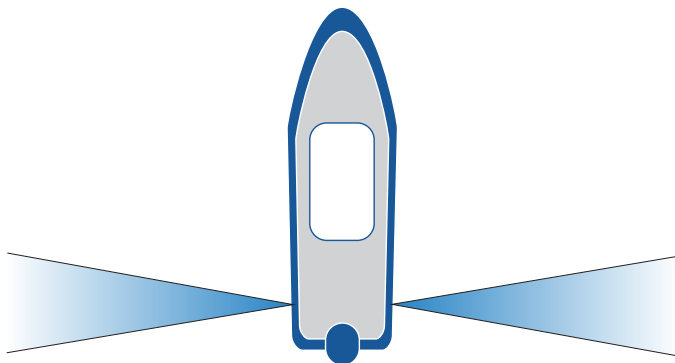
WIDE BEAM OPTION 90° x 20° (ELLIPTICAL)

With the wide angle beam option, the E2 has the same in-water lighting effect as the larger lights in the series, providing a wide-angled, focused top beam that lights up a large area of water, flooding it with light.



NARROW BEAM OPTION 20° (CIRCULAR)

The narrow beam option provides a more intense laser like effect in the water that penetrates further, giving an alternative effect for your boat.

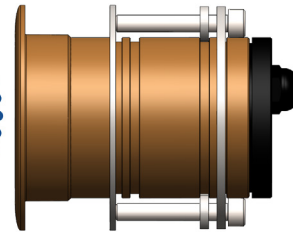


IP69k PROTECTION

The Explore E2 XFM Series is rated at IP69k, the highest achievable rating of protection against water ingress. IP69k goes one step further than the industry standard IP68, giving you additional protection and peace of mind.

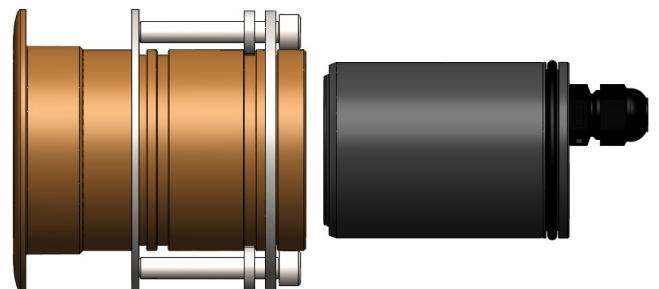
TEMPORARY REAR SUBMERSION PROTECTION

The rear of the light is protected from in-hull temporary submersion for boats where rough seas and waves sometimes flood the stern.



COMPACT XFM DESIGN

The Explore E2 is very compact in size, while having the same XFM capabilities as the larger lights in the range, being able to remove the light body for maintenance or upgrades, without the need to haul the boat.

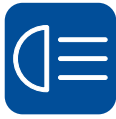


LOW PROFILE

The ultra low profile outer face of the housing is designed for boats wanting to go fast with minimal impact on speed and flow of water over the hull.



EXPLORE E2 CHOOSE YOUR LIGHT SETUP



CHOOSE YOUR EXPLORE E2 MODEL

WIDE BEAM OPTION

#E2009W
 Explore E2 (Ultra White)
 • Light Assembly
 • Clamping Kit
 • Fuse Kit



#E2009B
 Explore E2 (Midnight Blue)
 • Light Assembly
 • Clamping Kit
 • Fuse Kit



NARROW BEAM OPTION

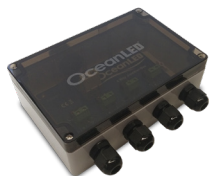
#E2002W
 Explore E2 (Ultra White)
 • Light Assembly
 • Clamping Kit
 • Fuse Kit



#E2002B
 Explore E2 (Midnight Blue)
 • Light Assembly
 • Clamping Kit
 • Fuse Kit



CONNECTION ACCESSORIES



#019901
 OceanLED 4-Way Power Junction Box

OPERATION

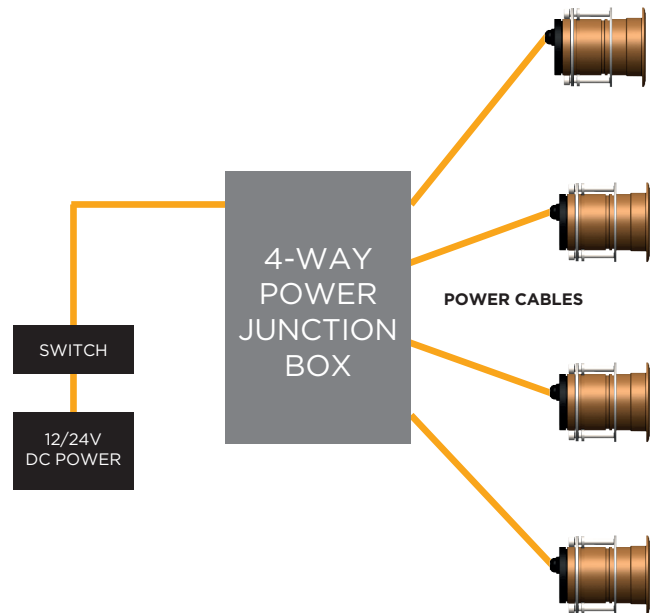


CONTROL VIA 3RD PARTY SWITCH

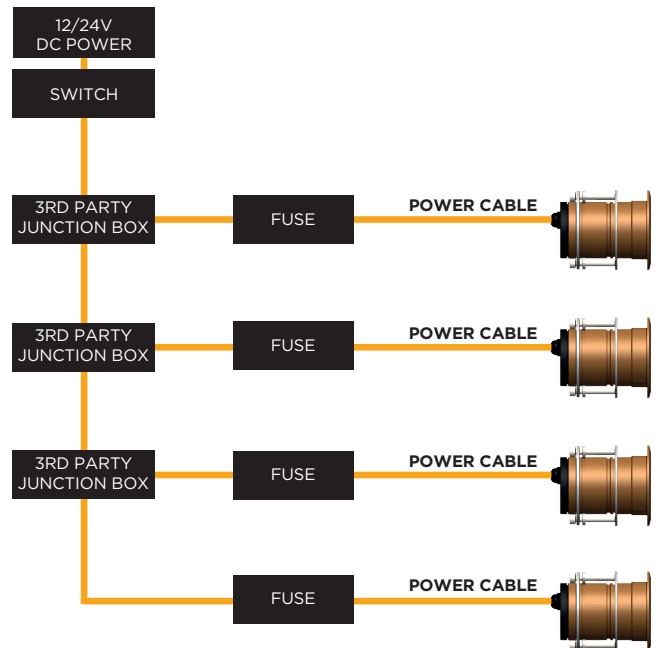
A 3rd party switch is required for operation and additional fish strobe mode feature.

Please see operation manual for full instructions

WIRING SCHEMATIC WITH POWER JUNCTION BOX

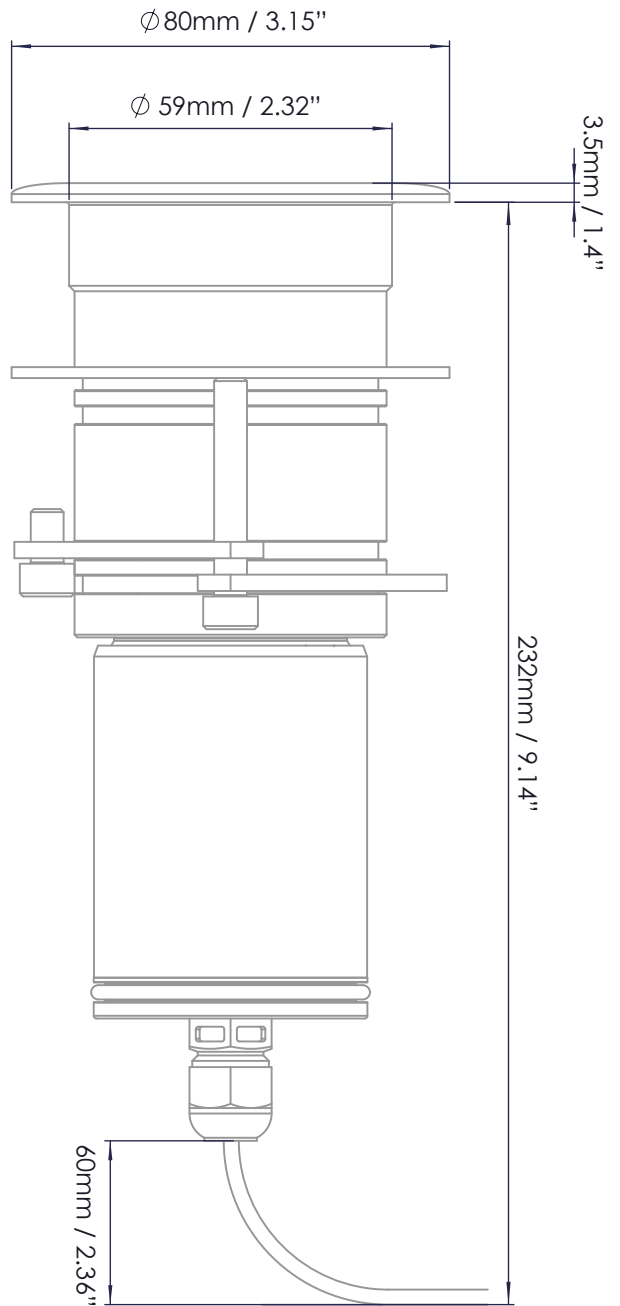
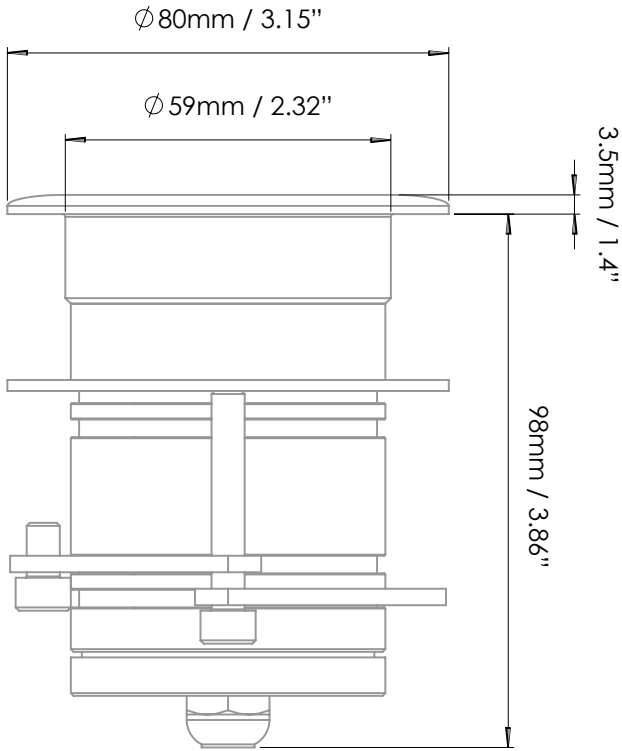


WIRING SCHEMATIC WITH 3RD PARTY JUNCTION BOX



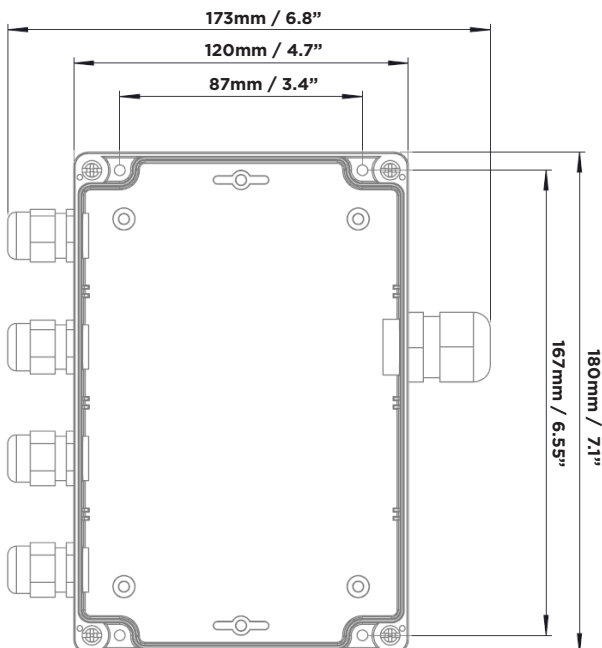
EXPLORE E2 DIMENSIONS

EXPLORE E2 LIGHT CARTRIDGE REMOVAL DIMENSIONS



4-WAY POWER JUNCTION BOX ACCESSORY

Part Number	019901
Material / Colour	Polycarbonate
Weight	460g
IP Rating	IP66



BOX CONTENTS	
Explore E2 Light Assembly & Clamping Kit	
In-line Fuse Kit	
Product Manual	
ACCESSORIES	PART
4 Way V DC Power Junction Box	019901
60mm XFM Isolation Kit	019912
MOUNTING RECOMMENDATIONS	
Boat size	Up to 20m (65')
Transom / Hull spacing	1 - 1.5m (3-5')
Installation depth below waterline	10-20cm (4-8")
Maximum Hull Thickness	60mm (2.4")
TECHNICAL	
Fixture Lumens (Ultra White)	3,000
Beam Angle (Wide Option)	Elliptical 90° x 20°
Beam Angle (Narrow Option)	Circular 20°
Min-Max Operating voltage DC	10-30V DC
Current / Amp draw (12V DC / 24V DC):	3.5A@12V DC 1.5A@24V DC
Correlated Colour Temp (White)	6500k
IP Rating (Front Face)	IP69k
Rear Temporary Submersion Protection	Yes
Fish Strobe	Yes
LED Manufacturer	CREE
Driver type	Internal

PHYSICAL	
Total weight	0.8kg (1.76lbs)
Total Diameter (Including Bezel)	80mm (3.15")
Diameter Of Body	59mm (2.32")
Profile Of Fixture	3.5mm (0.14")
Overall Length (Excluding Cable)	101.5mm (4")
Minimum Space Required Inside The Hull	232mm (9.14")
Hole Cut-Out	60mm (2.37")
Material (Mounting Tube / Bezel)	AB2 Aluminium Bronze
Material (Light Body)	Anodised Aluminium
Lens	Glass
Optics (Wide Beam Option)	Hybrid Collimated
Optics (Narrow Beam Option)	Collimated
CE Approved	Yes
APPROVALS	
RINA (Pending)	
ABS	