

The OceanLED Sport DockLight is the perfect underwater LED light to create a stunning light display at your dock.

KEY FEATURES



Up To 3,000
Fixture Lumens



90°
Top Beam



20°
Side Beam



Rectangular
Beam

COLOUR PART#

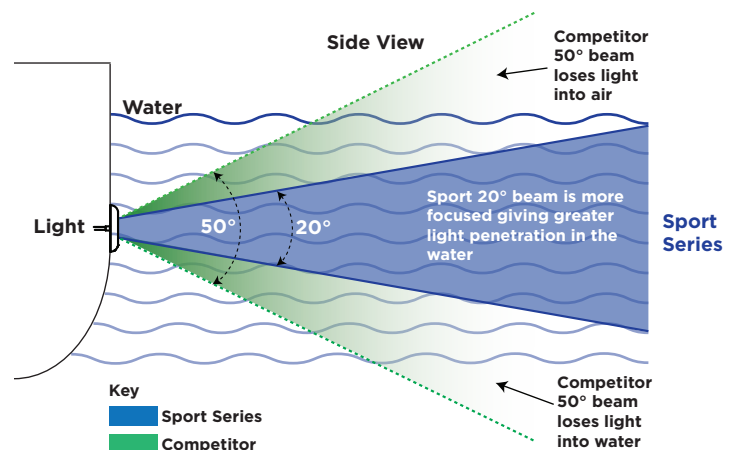


Dual White/Blue
012106BW

With twice the amount of LEDs as its competitors, the dual colour S3124d is the leader in its class. Simply toggle the power between white, blue and fade modes.

Compact, simple design with a small footprint. Easy to install and maintain with a choice of standard fixed dock or optional floating dock brackets.

- Brightest dock light in its class provides safety and security at your dock.
- Create a stunning backdrop to your dock parties.
- Increase interest and value in your property with stunning pictures for any marketing material.



5,600 LUMENS / 3,000 FIXTURE LUMENS

Outstanding performance from this small, bright light makes it the obvious choice for those who want to stand out from the crowd.

90°/20° BEAM ANGLE

A true wide-angled, focused beam lights up a large area of the water around the dock

COMPACT AND SIMPLE DESIGN

Made from corrosion resistant Alu Bronze, there is a lot packed into this 100mm / 4" light
Simple plastic brackets keep footprint to a minimum.

SIMPLE TO INSTALL

A choice of fixed or floating brackets, depending on tidal factors or dock type.

EASY TO CLEAN

Thanks to its Tritonium coating, a simple wipe of the lens removes any underwater growth, saving hours of scrubbing each time you use it.

Optional Easi-Kleen floating bracket mechanism makes it simple to swing the light out of the water to clean.

ADVANCED MODES

Fade between blue/white. Select your desired startup colour.

ACTIVE THERMAL CONTROL

ATC prevents overheating. In the event of overheating the ATC system will reduce the LED power level in order to protect the LEDs, or in extreme cases, turn off the fixture completely.

S3124d SPECIFICATIONS

BOX CONTENTS

Sport Dock Light and Cable
Fixed Dock Light Fixing Bracket
In-line Fuse Kit
Mounting Screws
Quick Install Guide

ACCESSORIES

PART

Sport DockLight Floating Kit	012108
4 Way V DC Power Junction Box	019901
Ocean LED 24v (Universal Input) P.S.U (IP67 Rated) 320W	010932
Power Supply	001-600072

MOUNTING RECOMMENDATIONS

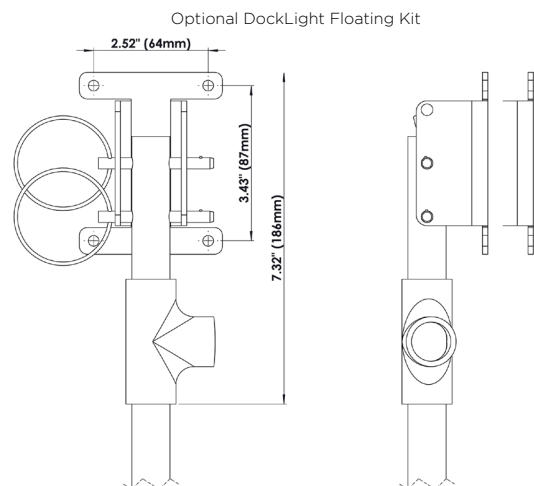
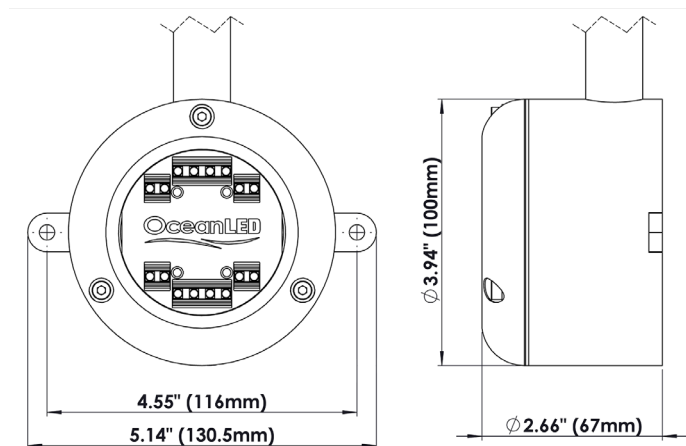
Dock spacing	2-4' (0.5-1.2m)
Installation depth (To top of fixture)	12" (30cm)

TECHNICAL

Fixture Lumens	3000
Typical LED life expectancy	40,000+ Hours
Minimum-Maximum operating voltage DC	20-32V DC
Current / Amp draw (DC)	24V DC 1.7A
Driver type	Internal, Reverse Polarity Protected

PHYSICAL

Total weight	1.2kg
Extension cable length (standard)	32.8" (10m)
Conduit Size	0.5" (12.5mm)
Material	AB2 Aluminium Bronze



*Fixture Lumens rating is a measurement of total white light output from a complete (as sold) light fixture using laboratory standard, calibrated photometric measuring equipment.