



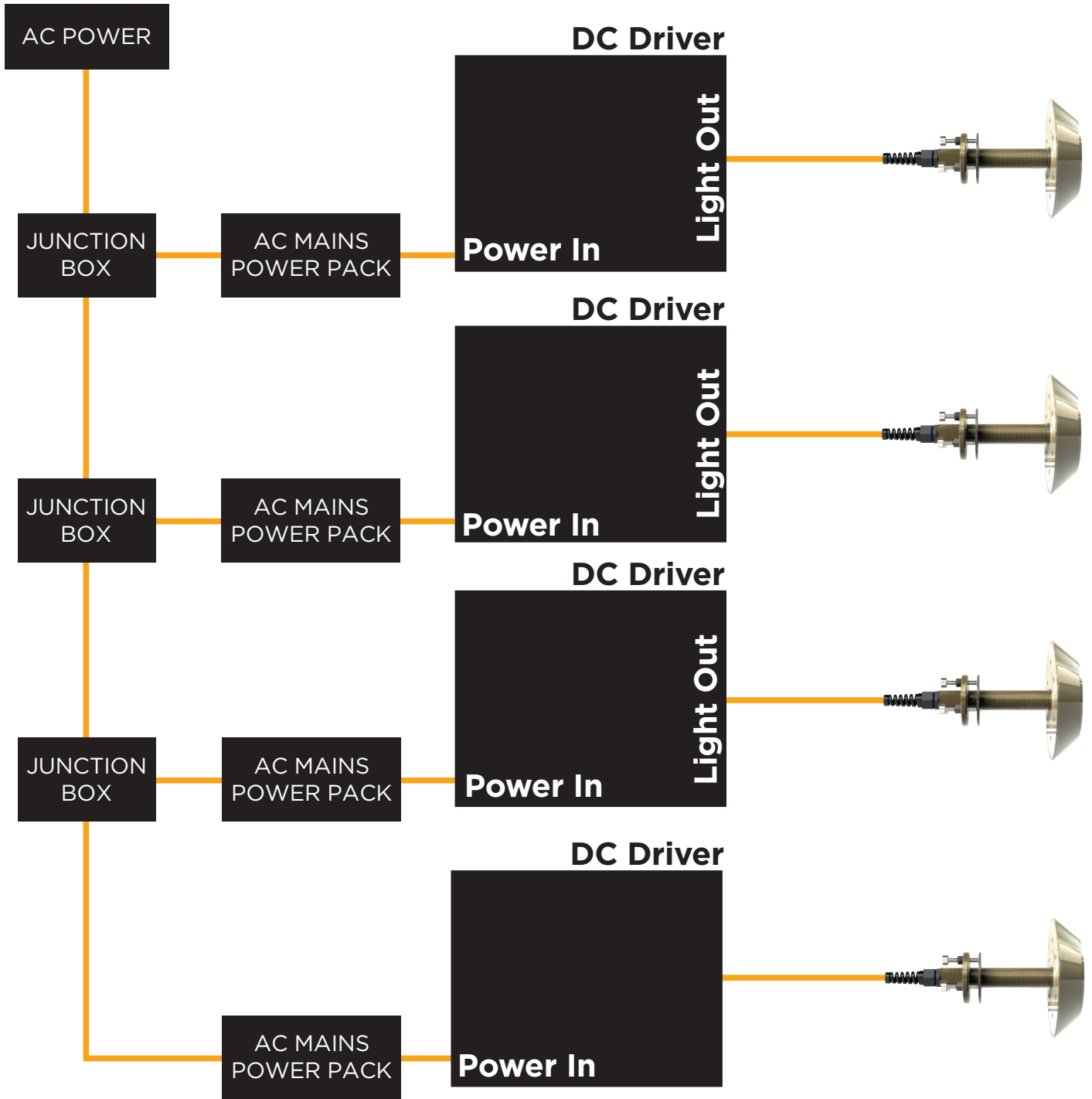
PRO SERIES HD GEN2 AC MAINS POWER PACK SPECIFICATION SHEET



Mains power pack for HD Gen2 Pro Series (single colour) DC lights. Allows HD Gen2 DC powered lights to be run from AC power.

PHYSICAL		CONTENTS	
Material	Extruded aluminium, IP65	PSU Unit	
Dimensions	228mm x 68mm x 39mm	REQUIRED FOR	
Weight	1.15 kg	Pro Series HD Gen2 DC LED Lights	
TECHNICAL			
Input Voltage	100-240V AC 50/60 Hz		
Output Voltage	24V DC		
Output Current	6.3Amp Max		
Rated Power	150W		
Protection	Short circuit protected, over temperature protected		
Input Connection	300mm (12") Flying lead (hard wired)		
Output Connector	2-pin Deutsch Quick Connect on 300mm (12") flying lead		
PART NUMBERS			
HD Gen2 AC Mains Power Pack	001-500755		

CONNECTION DIAGRAM



DIMENSIONS

