



DOCKLIGHT AC POWER SUPPLY

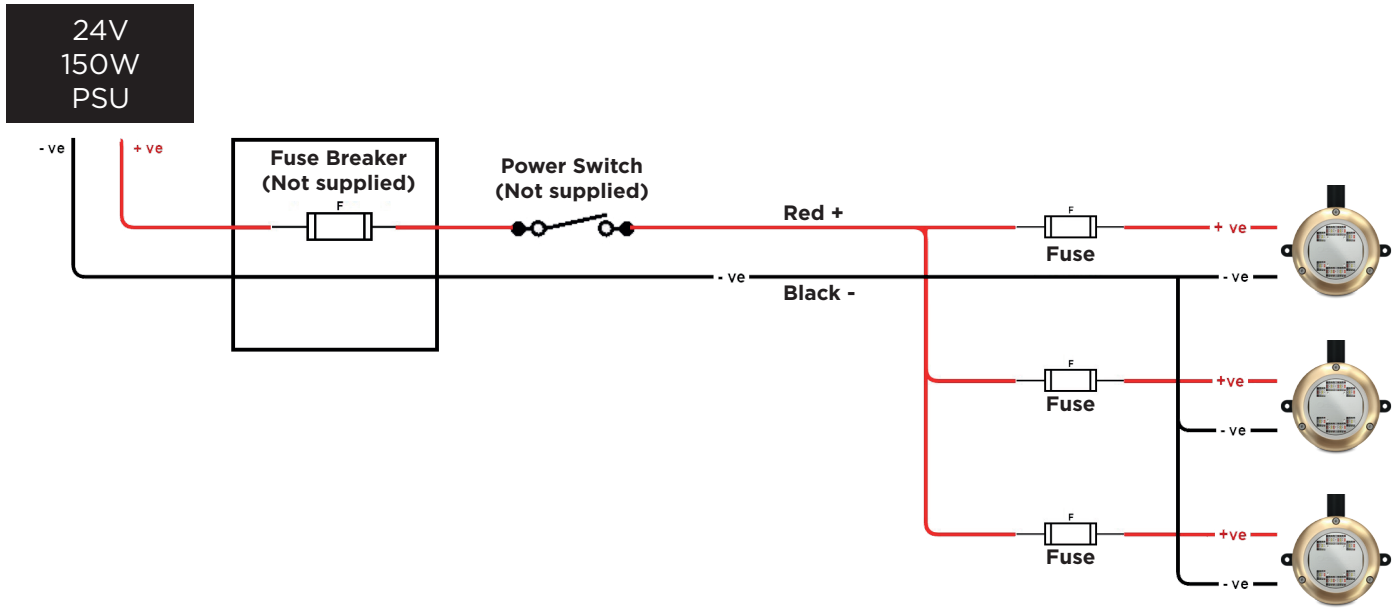
SPECIFICATION SHEET



Mains AC pack for Dock Light series lights. Converts 100-240V AC to 24v DC. 150W output power

PHYSICAL		CONTENTS	
Material	Extruded aluminium, IP65	24V DC 150W PSU Unit	
Dimensions	228mm x 68mm x 39mm	PART NUMBERS	
Weight	1.15kg	Docklight AC Power Supply	001-600072
TECHNICAL		REQUIRED FOR	
Input Voltage	100-240V AC 50/60 Hz	Sport Docklight Series	
Output Voltage	24V DC		
Output Current	6.3Amp Max		
Rated Power	150W		
Protection	Short circuit protected, over temperature protected		
Input Connection	300mm (12") Flying lead (hard wired)		
Output Connector	300mm (12") Flying lead (hard wired)		
NO' OF LIGHTS CAN POWER			
Single Colour / Multicolour			x2
Dual Colour			x3

CONNECTION DIAGRAM



DIMENSIONS

