

The Sport S3166d gives your dock parties a dramatic backdrop with a stunning multi-colour light display

KEY FEATURES



Up To 3,500 Fixture Lumens



90° Top Beam



20° Side Beam



Rectangular Beam

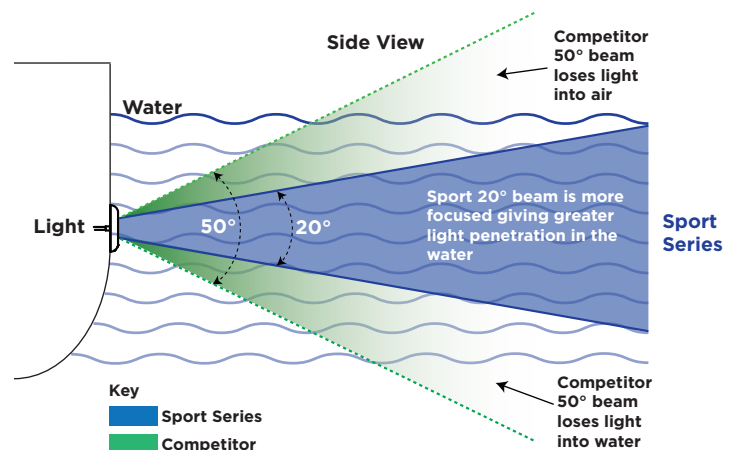
COLOUR PART#



Multi-Colour
012107C

OceanLED Sport DockLight has been designed and built for those who want to stand out. Whether a marina in the Mediterranean or a tiki dock in The Keys, the S3166d gives a stunning multi-colour light display enhancing your evenings by the water.

The S3166d packs a powerful 3,500 fixture lumens into a small body and has more dedicated LED's per colour than leading competitor models utilising full RGBW colour mixing. This allows you to choose any colour you wish or scroll through the spectrum to attract marine life creating your own aquarium. Make your dock parties the envy of your friends with the brightest multi-colour LED dock light in its class.



3,500 FIXTURE LUMENS

Best-in-class performance from this ultra-bright light makes it the obvious choice for those who want to stand out from the crowd.

Full RGBW Multi-Colour

Choose any colour you wish or scroll through the spectrum creating a stunning backdrop to your dock parties

90°/20° BEAM ANGLE

A true wide-angled, focused beam lights up a large area of the water.

SIMPLE TO INSTALL

A choice of fixed or floating brackets, depending on tidal factors or dock type.

EASY TO CLEAN

Thanks to its Tritonium coating, a simple wipe of the lens removes any underwater growth, saving hours of scrubbing each time you use it.

Optional Easi-Kleen floating bracket mechanism makes it simple to swing the light out of the water to clean.

COMPACT AND SIMPLE DESIGN

Made from corrosion resistant Alu Bronze, there is a lot packed into this 100mm / 4" light. Simple plastic brackets keep footprint to a minimum.

ACTIVE THERMAL CONTROL

ATC prevents overheating. In the event of overheating the ATC system will reduce the LED power level in order to protect the LEDs, or in extreme cases, turn off the fixture completely.

S3166d SPECIFICATIONS

BOX CONTENTS

Sport Dock Light and Cable
Fixed Dock Light Fixing Bracket
In-line Fuse Kit
Mounting Screws
Quick Install Guide

ACCESSORIES

PART

Sport DockLight Floating Kit	012108
4 Way V DC Power Junction Box	019901
Power Supply	001-600072

MOUNTING RECOMMENDATIONS

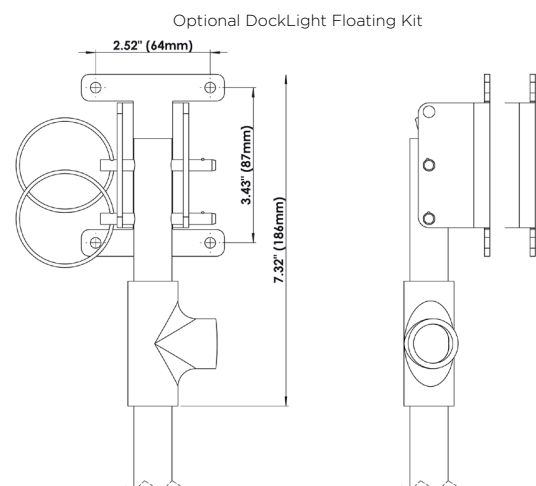
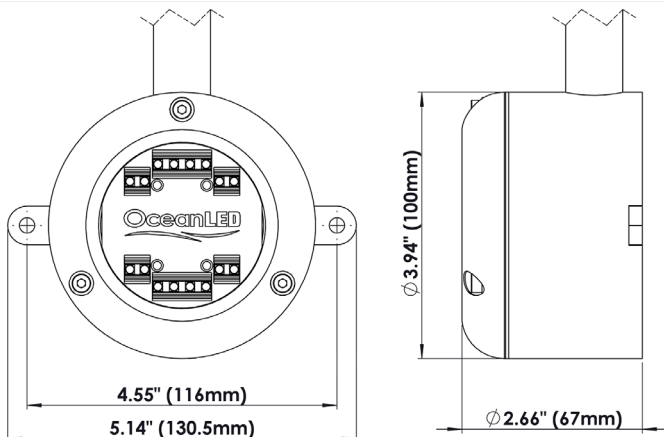
Dock spacing	2-4' (0.5-1.2m)
Installation depth (To top of fixture)	12" (30cm)

TECHNICAL

Lumens	8448
Fixture Lumens	3500
Typical LED life expectancy	40,000+ Hours
Minimum-Maximum operating voltage DC	20-32V DC
Current / Amp draw (DC) (Amperage draw for Colours models vary by colour selected, this is the maximum)	24V DC 2.4A
Driver type	Internal, Reverse Polarity Protected

PHYSICAL

Total weight	1.2kg
Cable length (standard)	32.8" (10m)
Conduit Size	0.5" (12.5mm)
Material	AB2 Aluminium Bronze



*Fixture Lumens rating is a measurement of total white light output from a complete (as sold) light fixture using laboratory standard, calibrated photometric measuring equipment.