

The original Thru-Hull with the smallest hole cut-out for a Pro Series light at only 1”.

**KEY FEATURES**



Up To 7,000 Fixture Lumens



60° Top Beam



20° Side Beam



Elliptical Beam

**COLOUR PART#**



Colours  
**001-500733**

Colours utilize the very latest 4-channel RGBW High Definition LEDs. Controlled via DMX-512 through the vessel’s on-board systems, or wirelessly via third party devices such as an iPad, iPhone or Android, Colours allows you to pre-program more than 40 static and dynamic colour scenes to set the mood, enhance an on-board event or strobe to attract fish.

The Colours Thru-Hull model with the smallest hole cut-out for a Pro Series light at only 1” makes it the ideal underwater light for transom mount applications.

65’ (20m) using 2-6 lights with spacing of 3-5’ (1-1.5m). For metal hulls, add the Delrin Isolation Sleeve accessory. Deutsch plug-and-play quick connectors make this light a quick fit. Maintenance is easy; just wipe away marine growth from its scratch resistant Tritonium™ glass lens

With approval by ABS, the Pro Series HD is trusted by boat builders and owners worldwide.

- 1” Hole in Hull
- Aluminium Bronze AB2

Suitable for all hull types up to and over

## DMX COLOURS CONTROL

Colours utilize the very latest 4-channel RGBW (Red/Green/Blue/White) High Definition LEDs. Controlled via DMX-512 through the vessel's on-board systems, or wirelessly via third party devices such as an iPad, iPhone or Android. Use with OceanDMX or with a suitable controller.

## 60/20° ELLIPTICAL BEAM ANGLE

A wide-angled, focused beam lights up a large area of the water.

## EASY TO CLEAN

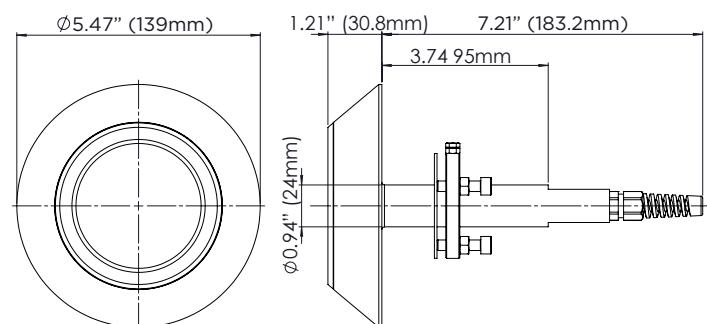
Thanks to its Tritonium coating, a simple wipe of the lens removes any underwater growth, saving hours of scrubbing each time you use it.

## PLUG AND PLAY

Deutsch plug-and-play quick connectors make this light a quick fit.

## ACTIVE THERMAL CONTROL

ATC prevents overheating. In the event of overheating the ATC system will reduce the LED power level in order to protect the LEDs, or in extreme cases, turn off the fixture completely.



## COLOURS TH HD Gen2

### BOX CONTENTS

Light Engine with 1.8m / 6' Connection Cable
Driver with 1.8m / 6' Power Cable and 1.8m / 6' Connection Cable
3m DMX Cable
Installation Manual

ACCESSORIES	PART
Delrin Isolation Sleeve for Colours XFM	001-500164
Locking Nut Kit for 2010 XFM	001-500398
2m (6.5') Plug & Play Ext Cable	001-500753
6m (19.5') Plug & Play Ext Cable	001-500754
IP68 DMX DIY Cap	001-500466
DMX Colours Connection Cable (3 Meter) (Included w/COLOURS Driver)	001-500594
Colours Terminator Kit (Included with DMX Controller)	001-500467
OceanDMX Pro Series App Controller Kit	011705
DMX Touch Panel Controller (includes 1 Terminator Kit)	001-500596
DMX WiFi Touch Panel Controller (includes 1 Terminator Kit)	001-500598

### MOUNTING RECOMMENDATIONS

Boat size	Up to & over 65' (20m)
Transom / Hull spacing	3-5' (1-1.5m)
Transom quantity	2-6
Maximum hull thickness	3.5" (90mm)
Installation depth (to top of fixture)	8-10" (200-250mm)

### TECHNICAL

Lumens	11400
Fixture Lumens	7000
Typical LED life expectancy	40,000+ Hours
Minimum-Maximum operating voltage AC	90-270V AC
Current / Amp draw AC	110V AC 50/60HZ 2.5A 230V AC 50/60HZ 1.1A
App. Light penetration (avg. water quality)	59' (18m)
App. Light penetration (perfect water quality)	Up to 140' (45+m)
Driver type	External

### PHYSICAL

Driver size (L x W x H) Excluding Connectors	14.2 x 6.3 x 3.5" (360 x 160 x 90mm)
Light Engine weight	5.5lbs (2.5kgs)
Driver weight	10.6lbs (4.8kgs)
Extension cable length (standard)	6.5' (2m)
Hole cut-out for cable entry	1" (26mm)
Material	Aluminium Bronze AB2

\*Fixture Lumens rating is a measurement of total white light output from a complete (as sold) light fixture using laboratory standard, calibrated photometric measuring equipment.