

Xchangeable Flush Mounts, are just that - they're exchangeable without hauling should servicing ever be needed.

KEY FEATURES



Up To 7,000
Fixture Lumens



60°
Top Beam



20°
Side Beam



Elliptical
Beam

COLOUR PART#



Ultra White
001-500744



Midnight Blue
001-500745



Sea Green
001-500746

XFM models, or Xchangeable Flush Mounts, are just that - they're exchangeable without hauling should servicing or upgrading ever be needed. Their exceptionally low profile head offers virtually unlimited hull mounting options. Can be retrofitted into most existing underwater lighting hole cut-outs.

Suitable for all hull types up to and over 65' (20m) using 2-6 lights with spacing of 3-5' (1-1.5m). For metal hulls, add the Delrin Isolation Sleeve accessory. Deutsch plug-and-play quick connectors make this light a quick fit.

Maintenance is easy; just wipe away marine growth from its scratch resistant Tritonium™ glass lens. Three super bright LED colour options.

With approval by ABS and RINA, the Pro Series HD is trusted by boat builders and owners worldwide.

- Xchangeable from Inside the Hull
- Virtually unlimited hull mounting options
- Aluminium Bronze AB2
- 12/24V DC (AC Upgrade Optional)

60/20° ELLIPTICAL BEAM ANGLE

A wide-angled, focused beam lights up a large area of the water.

XCHANGEABLE FLUSH MOUNT

Exchangeable without hauling should servicing or upgrading ever be needed. The exceptionally low profile head offers virtually unlimited hull mounting options, including retrofitting into most existing underwater lighting hole cut-outs.

RETROFITTING

Retrofit with XFM for benefits of no startup power surge, low heat, minimal maintenance, and improved light output compared to metal halide.

EASY TO CLEAN

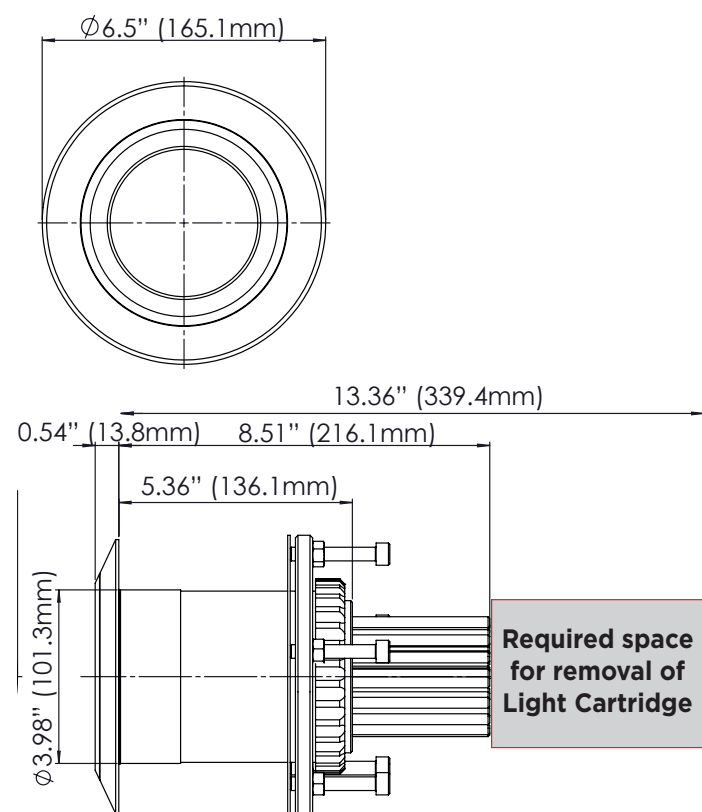
Thanks to its Tritonium coating, a simple wipe of the lens removes any underwater growth, saving hours of scrubbing each time you use it.

PLUG AND PLAY

Deutsch plug-and-play quick connectors make this light a quick fit.

THERMAL PROTECTION

In the event of overheating the thermal protection turns off the power to avoid any damage until the unit has cooled.



2010 XFM HD Gen2

BOX CONTENTS

Light Engine with 1.8m / 6' Connection Cable

12/24V DC Driver

1.8m / 6' Power Cable

Installation Manual

ACCESSORIES	PART
Delrin Isolation Sleeve for 2010/COLOURS XFM	001-500573
Locking Nut Kit for 2010 XFM	001-500398
2m (6.5') Plug & Play Extension Cable	001-500753
6m (19.5') Plug & Play Extension Cable	001-500754
4 Way V DC Power Junction Box	019901
Pro Series HD Gen2 AC/Mains Power Pack	001-500755

MOUNTING RECOMMENDATIONS

Boat size	Up to and over 65' (20m)
Transom / Hull spacing	3-5' (1-1.5m)
Transom quantity	2-6
Maximum hull thickness	3.5" (90mm)
Installation depth (To top of fixture)	10-12" (250-300mm)

TECHNICAL

Lumens	11400
Fixture Lumens	7000
Typical LED life expectancy	40,000+ Hours
Minimum-Maximum operating voltage DC	9-32V DC
Current / Amp draw (DC)	12V DC 5.3A 24V DC 2.7A
Approx. Light penetration (avg. water quality)	59' (18m)
Approx. Light penetration (perfect water quality)	Up to 140' (45+m)
Driver type	External, Reverse Polarity Protected

PHYSICAL

Driver size (L x W x H) Excluding Connectors	180x80x50mm (7.09 x 3.15 x 1.97")
Total weight	11.2lbs (5.1kgs)
Extension cable length (standard)	6.5' (2m)
Hole cut-out	4" (102mm)
Material	Aluminium Bronze AB2

*Fixture Lumens rating is a measurement of total white light output from a complete (as sold) light fixture using laboratory standard, calibrated photometric measuring equipment.