

## The original Thru-Hull with the smallest hole cut-out for a Pro Series light at only 1”.

### KEY FEATURES



Up To 7,000  
Fixture Lumens



60°  
Top Beam



20°  
Side Beam



Elliptical  
Beam

### COLOUR PART#



Ultra White  
**001-500730**



Midnight Blue  
**001-500731**



Sea Green  
**001-500732**

With 7,000 fixture lumens and a 1” (25mm) profile head, the 2010TH is the ideal underwater light for transom mount applications.

Suitable for all hull types up to and over 65’ (20m) using 2-6 lights with spacing of 3-5’ (1-1.5m). For metal hulls, choose the Delrin Isolation Sleeve accessory. Deutsch plug-and-play quick connectors make this light a quick fit.

Maintenance is easy; just wipe away marine growth from its scratch resistant Tritonium™ glass lens.

Three super bright LED colour options, or for an even brighter light choose 3010TH HD Gen2. For a light with a lower profile head for hull mount applications, or that can be exchanged without hauling, choose from our XFM models. For a light with colour-change capabilities choose from our Colours models.

With approval by ABS, the Thru Hull Pro Series HD is trusted by boat builders and owners worldwide.

- 1” Hole in Hull
- Aluminium Bronze AB2
- Three LED colour options

## 60/20° ELLIPTICAL BEAM ANGLE

A wide-angled, focused beam lights up a large area of the water.

## PLUG AND PLAY

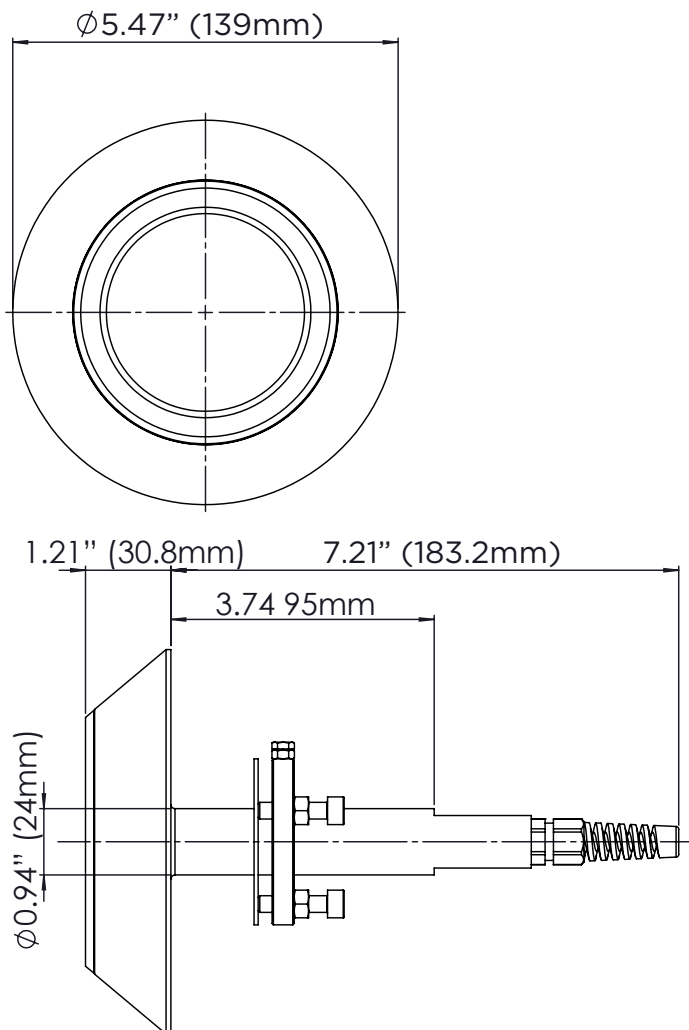
Deutsch plug-and-play quick connectors make this light a quick fit.

## EASY TO CLEAN

Thanks to its Tritonium coating, a simple wipe of the lens removes any underwater growth, saving hours of scrubbing each time you use it.

## THERMAL PROTECTION

In the event of overheating, the thermal protection turns off the power to avoid any damage until the unit has cooled.



## 2010 TH HD Gen2

### BOX CONTENTS

Light Engine with 1.8m / 6' Connection Cable

12/24V DC Driver

1.8m / 6' Power Cable

Installation Manual

ACCESSORIES	PART
Delrin Isolation Sleeve for 2010 TH	001-500164
Locking Nut Kit for All Thru-Hull Models	050-000029
2m (6.5') Plug & Play Extension Cable	001-500753
6m (19.5') Plug & Play Extension Cable	001-500754
4 Way V DC Power Junction Box	019901
Pro Series HD Gen2 AC/Mains Power Pack	001-500755

### MOUNTING RECOMMENDATIONS

Boat size	Up to and over 65' (20m)
Transom / Hull spacing	3-5' (1-1.5m)
Transom quantity	2-6
Maximum hull thickness	3.5" (90mm)
Installation depth (to top of fixture)	8-10" (200-250mm)

### TECHNICAL

Lumens	11400
Fixture Lumens	7000
Typical LED life expectancy	40,000+ Hours
Minimum-Maximum operating voltage DC	9-32V DC
Current / Amp draw (DC)	12V DC 5.3A 24V DC 2.7A
Approx. Light penetration (avg. water quality)	59' (18m)
Approx. Light penetration (perfect water quality)	Up to 140' (45+m)
Driver type	External, Reverse Polarity Protected

### PHYSICAL

Driver size (L x W x H) Excluding Connectors	180x80x50mm (7.09 x 3.15 x 1.97")
Total weight	6.6lbs (3kgs)
Extension cable length (standard)	6.5' (2m)
Hole cut-out for cable entry	1" (25mm)
Material	Aluminium Bronze AB2

\*Fixture Lumens rating is a measurement of total white light output from a complete (as sold) light fixture using laboratory standard, calibrated photometric measuring equipment.