

The original Thru-Hull with the smallest hole cut-out for a Pro Series light at only 1”.

KEY FEATURES



Up To 7,000
Fixture Lumens



60°
Top Beam



20°
Side Beam



Elliptical
Beam

COLOUR PART#



Ultra White
001-500730



Midnight Blue
001-500731



Sea Green
001-500732

With 7,000 fixture lumens and a 1” (25mm) profile head, the 2010TH is the ideal underwater light for transom mount applications.

Suitable for all hull types up to and over 65’ (20m) using 2-6 lights with spacing of 3-5’ (1-1.5m). For metal hulls, choose the Delrin Isolation Sleeve accessory. Deutsch plug-and-play quick connectors make this light a quick fit.

Maintenance is easy; just wipe away marine growth from its scratch resistant Tritonium™ glass lens.

Three super bright LED colour options, or for an even brighter light choose 3010TH HD Gen2. For a light with a lower profile head for hull mount applications, or that can be exchanged without hauling, choose from our XFM models. For a light with colour-change capabilities choose from our Colours models.

With approval by ABS, the Thru Hull Pro Series HD is trusted by boat builders and owners worldwide.

- 1” Hole in Hull
- Aluminium Bronze AB2
- Three LED colour options

60/20° ELLIPTICAL BEAM ANGLE

A wide-angled, focused beam lights up a large area of the water.

PLUG AND PLAY

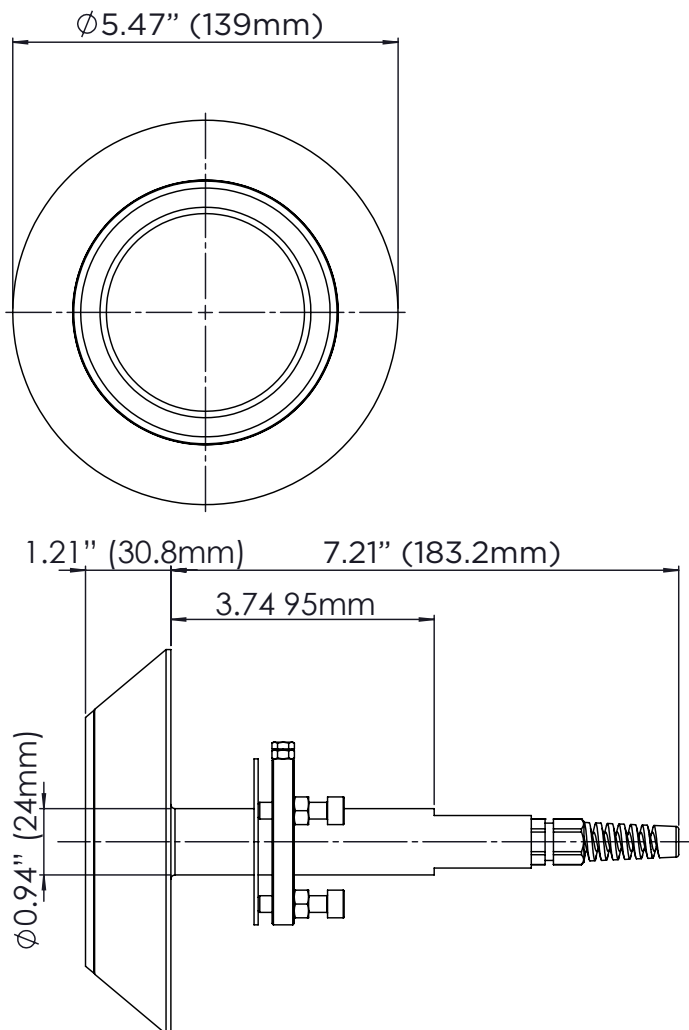
Deutsch plug-and-play quick connectors make this light a quick fit.

EASY TO CLEAN

Thanks to its Tritonium coating, a simple wipe of the lens removes any underwater growth, saving hours of scrubbing each time you use it.

THERMAL PROTECTION

In the event of overheating, the thermal protection turns off the power to avoid any damage until the unit has cooled.



2010 TH HD Gen2

BOX CONTENTS

Light Engine with 1.8m / 6' Connection Cable

12/24V DC Driver

1.8m / 6' Power Cable

Installation Manual

ACCESSORIES

PART

Delrin Isolation Sleeve for 2010 TH

001-500164

Locking Nut Kit for All Thru-Hull Models

050-000029

2m (6.5') Plug & Play Extension Cable

001-500753

6m (19.5') Plug & Play Extension Cable

001-500754

4 Way V DC Power Junction Box

019901

Pro Series HD Gen2 AC/Mains Power Pack

001-500755

MOUNTING RECOMMENDATIONS

Boat size

Up to and over 65'
(20m)

Transom / Hull spacing

3-5' (1-1.5m)

Transom quantity

2-6

Maximum hull thickness

3.5" (90mm)

Installation depth
(to top of fixture)

8-10"
(200-250mm)

TECHNICAL

Lumens

11400

Fixture Lumens

7000

Typical LED life expectancy

40,000+ Hours

Minimum-Maximum operating voltage DC

9-32V DC

Current / Amp draw (DC)

12V DC 5.3A
24V DC 2.7A

Approx. Light penetration (avg. water quality)

59' (18m)

Approx. Light penetration (perfect water quality)

Up to 140' (45+m)

Driver type

External, Reverse
Polarity Protected

PHYSICAL

Driver size (L x W x H)
Excluding Connectors

7.09 x 3.15 x 1.97"
(180x80x50mm)

Total weight

6.6lbs (3kgs)

Extension cable length (standard)

6.5' (2m)

Hole cut-out for cable entry

1" (25mm)

Material

Aluminium Bronze AB2

*Fixture Lumens rating is a measurement of total white light output from a complete (as sold) light fixture using laboratory standard, calibrated photometric measuring equipment.