

The OceanLED Sport series is the perfect choice for fishing and cruising in small to medium sized boats.

**KEY FEATURES**



Up To 5,000 Fixture Lumens\*



90° Top Beam



20° Side Beam



Rectangular Beam

**MODEL COLOUR PART#**



**S3116s**  
Ultra White  
**012102W**



**S3116s**  
Midnight Blue  
**012101B**



**S3124s**  
Dual White/Blue  
**012103BW**

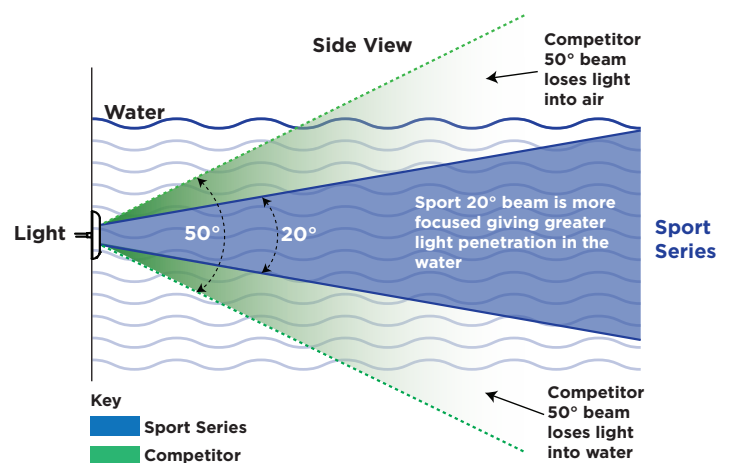


**S3166s**  
Multi-Colour  
**012110C**

With 5,000 fixture lumens\*, the Sport Series is the most powerful in its class with a range of colour options.

Advanced optics, designed exclusively by OceanLED, offer a truly striking 90° surface beam angle with a focused 20° side beam angle providing greater water penetration and a significantly larger area illuminated without any loss.

- More dedicated LED's per colour than leading competitors.
- 60% narrower focused side beam angle providing greater water penetration.
- Choose any colour you wish or scroll through the spectrum.



## 5,000 FIXTURE LUMENS\* (S3116s)

Best-in-class performance from this ultra-bright light makes it the obvious choice for those who want to stand out from the crowd.

## Full RGBW Multi-Colour (S3166s)

Whether fishing or enjoying time on the water with friends of family, you can choose the perfect colour.

## 90°/20° BEAM ANGLE

A true wide-angled, focused beam lights up a large area of the water.

## COMPACT AND SIMPLE DESIGN

Made from corrosion resistant Alu Bronze, there is a lot packed into this 10cm light.

## SIMPLE TO INSTALL

12.5mm hole in the hull to feed the cable through and 3 screws to hold in place. No bonding required.

## EASY TO CLEAN

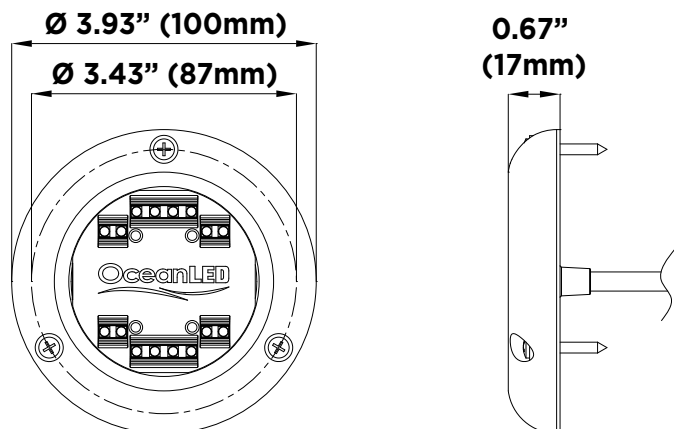
Thanks to its Tritonium coating, a simple wipe of the lens removes any underwater growth, saving hours of scrubbing each time you use it.

## ADVANCED MODES

Randomised strobing with fish-strobe. Advanced fade modes available on the S3124s dual colour model, and colour scroll modes on the S3166s multi colour model.

## ACTIVE THERMAL CONTROL

ATC prevents overheating. In the event of overheating the ATC system will reduce the LED power level in order to protect the LEDs, or in extreme cases, turn off the fixture completely.



## SPECIFICATIONS

BOX CONTENTS	
Sport Series LED Light and Cable	
In-line Fuse Kit	
Mounting Screws	
Quick Install Guide	
ACCESSORIES	PART
4 Way V DC Power Junction Box	019901
MOUNTING RECOMMENDATIONS	
Boat size	Up to 65' (20m)
Transom / Hull spacing	2-4' (0.5-1.2m)
Transom quantity	2-6
Installation depth (To top of fixture)	8-10" (20-25cm)
TECHNICAL	
Fixture Lumens* / No' LEDs	<b>S3116s</b> 5,000 / 16
	<b>S3124s</b> 3,000 / 24
	<b>S3166s</b> 3,500 / 66
Typical LED life expectancy	40,000+ Hours
Minimum-Maximum operating voltage DC	9-32V DC
Current / Amp draw (DC) (Amperage draw for Colours models vary by colour selected, this is the maximum)	<b>S3116s</b> 12V DC 5.5A 24V DC 2.4A
	<b>S3124s</b> 12V DC 3.6A 24V DC 1.7A
	<b>S3166s</b> 12V DC 5.5A 24V DC 2.4A
Driver type	Internal, Reverse Polarity Protected
PHYSICAL	
Total weight	700g
Extension cable length (standard)	9.84' (3m)
Hole cut-out for cable entry	0.5" (12.5mm)
Material	AB2 Aluminium Bronze

\*Fixture Lumens rating is a measurement of Ultra White total light output from a finished lighting fixture. This measurement can only be obtained from either a Goniophotometer or an Integrating sphere. Fixture Lumens is the most reliable, professional measurement of light output.