



OCEANDMX PRO SERIES

DMX COLOURS CONTROL



Take control of your OceanLED Pro Series lights via your iOS or Android device. Free to download and easy to use.

KEY FEATURES



Single Colour



Cycle Mode



Strobe Mode



Audio Mode



Wave Mode



favourites

PART#



OceanDMX Pro Series App Controller Kit
011705

With the new OceanDMX App for Android and iOS, you have all the control and customisation you need to create any scene or light display you wish, with full control over sensitivity, speed and brightness.

The OceanDMX App has been custom designed with an easy to use menu structure for use solely with the new OceanDMX Controller, which transmits its own unique WiFi network for your mobile device to connect with.

Choose between standard static, cycle or strobe modes. Alternatively, use audio or wave motion modes to control the colour scheme of your choice.

To use audio control, simply attach your vessel's sound system to the DMX controller via a standard audio jack. In wave motion mode, you can create a dramatic display whilst on the move upon wave impact.

OCEANDMX PRO SERIES

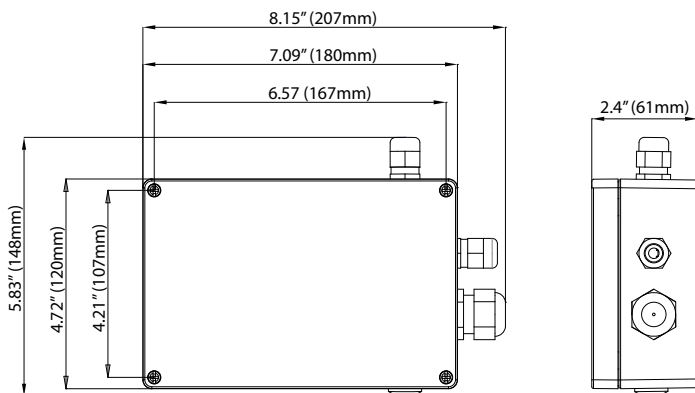
APP SPECIFICATIONS		NO' COLOURS	BRIGHTNESS	SENSITIVITY	SPEED
Mode 1	Static Colour	1	x		
Mode 2	Cycle Colour	4	x		x
Mode 3	Strobe Colour	4	x		x
Mode 4	Audio Mode	3	x	x	
Mode 5	Wave Mode	2	x	x	
Mobile platforms	iOS ver 8.1 and above / Android version 4.1 (Jellybean) and above				
Availability	Free download via Google Play / iTunes App Store				
Presets	6x storeable scene / colour settings				
Colour Control	Large colour wheel and selected colour indicator				
Help mode	on screen menu information				
Upgrades	Version upgrades available				

OCEANDMX APP FEATURES

- Free download for iOS / Android
- Compatible with OceanLED Pro Series HD Colours
- Unlimited Colour Control
- 6 storeable presets
- Strobe / dimming / cycle modes
- Dynamic Audio control mode
- Dynamic Motion control mode
- Easy to use menu system

DMX WIFI CONTROLLER

- Dedicated WiFi access point
- IP66 Control Box
- Semi transparent lid
- LED indicators
- 12/24v DC
- Robust polycarbonate design



BOX CONTENTS

DMX Wifi Controller

DMX Cable 3m

Installation Manual

ACCESSORIES

PART

316L Stainless Steel Bezel X4	011416
4 Way V DC Power Junction Box	019901
DMX Junction Box	011702
DMX Control cable 5M	011706
DMX Control cable 10M	011707
DMX Control cable 15M	011708

TECHNICAL

DMX WIFI CONTROLLER

Supply Voltage	12/24v DC
Input Current	0.3A max input
DMX Output	1x DMX 512 Output
Power indication	LED power on/off indicator
Audio input	Cable glands. Push and fit terminals
Wifi	On-board WiFi access point or connect to existing
Rating	IP66
Firmware	Upgradeable

PHYSICAL

DMX WIFI CONTROLLER

Total weight	0.48kg (1.06 lbs)
Extension cable length (standard)	9.84' (3m)
Material	Robust polycarbonate with semi transparent lid