



The X Series Dock underwater LED lights are the perfect choice for your dock, bulkheads, pilings or piers.

KEY FEATURES



Up To 4,500
Fixture Lumens



60° Top Beam



60° Side Beam



Circular
Beam

METRIC HORIZONTAL



Ultra White
011501W



Midnight Blue
011505B



Sea Green
011509G

METRIC VERTICAL



Ultra White
011502W



Midnight Blue
011506B



Sea Green
011510G

IMPERIAL HORIZONTAL



Ultra White
011503W



Midnight Blue
011507B



Sea Green
011511G

IMPERIAL VERTICAL



Ultra White
011504W



Midnight Blue
011508B



Sea Green
011512G

Enhance the natural beauty of your waterfront property while enhancing security. Attract fish to create a natural aquarium.

Maintenance is easy due to its Tritonium™ coating (available on all OceanLED lights); just wipe away marine growth.

Built-in driver, ultra low power draw, reverse polarity protection.

- Great choice of colour options to suit your needs.
- Vertical or horizontal mounting.
- True 60° beam angle with no fading at the edge giving better illumination.

5,800 LUMENS / 4,500 FIXTURE LUMENS

Outstanding performance from this bright light makes it the obvious choice for your waterfront.

COMPACT AND SIMPLE DESIGN

Made from a chemically resistant optical polymer with a built in driver.

EASY TO CLEAN

Thanks to its Tritonium coating, a simple wipe of the lens removes any underwater growth, saving hours of scrubbing each time you use your boat.

ACTIVE THERMAL CONTROL

ATC prevents overheating. In the event of overheating the ATC system will reduce the LED power level in order to protect the LEDs, or in extreme cases, turn off the fixture completely.

VERTICAL / HORIZONTAL MOUNTING

With its circular beam, the XD16 Dock light can be mounted either vertically or horizontally, either to a pole, or a flat surface giving a variety of mounting options.

XD16 SPECIFICATIONS

BOX CONTENTS

XD16 Light and Cable

In-line Fuse Kit

Mounting Screws

Installation Manual

ACCESSORIES

PART

Power Supply	001-600072
4 Way V DC Power Junction Box	019901

MOUNTING RECOMMENDATIONS

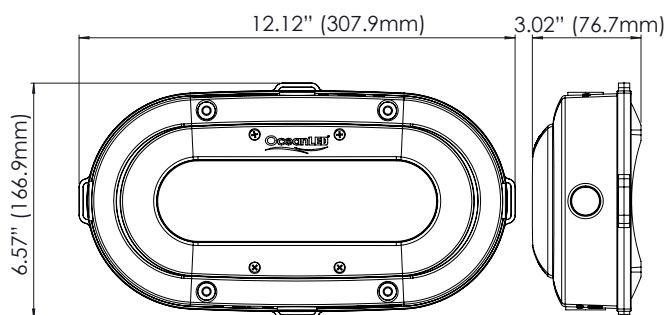
Typical spacing	2-4m
-----------------	------

TECHNICAL

Lumens	5800
Fixture Lumens	4500
Typical LED life expectancy	40,000+ Hours
Minimum-Maximum operating voltage DC	20-32V DC
Current / Amp draw (DC) (Amperage draw for Colours models vary by colour selected, this is the maximum)	24V DC 1.5A
Approx. light penetration (avg. water quality)	40' (12m)
Approx. Light penetration (perfect water quality)	up to 100' (30+m)
Driver type	Internal, Reverse Polarity Protected

PHYSICAL

Total weight	1.58kg (3.48lbs)
Extension cable length (standard)	32.8" (10m)
Hole cut-out for cable entry	0.5" (12.5mm)
Material - Body	Polypropylene impact copolymer
Material - Light	Chemically resistant optical polymer



*Fixture Lumens rating is a measurement of total light output from a finished lighting fixture. This measurement can only be obtained from either a Goniophotometer or an Integrating sphere. Fixture Lumens is the most reliable, professional measurement of light output.