



The Allure 150XFM is a compact but powerful Xchangeable Flush Mount light for fiberglass, GRP, wooden, aluminium and steel hulls.

KEY FEATURES



Up To 6,500
Fixture Lumens



36° Primary
Beam



110° Secondary
Diffused Beam



Circular
Beam

COLOUR PART#



Ultra White DC
010219W



Midnight Blue DC
010220B



Ultra White AC
010223W



Midnight Blue AC
010224B

Xchangeable Flush Mount (XFM) is designed to be exchanged without hauling should servicing or upgrading ever be needed. The Allure XFM features an exceptionally low profile bezel, only 4mm (0.16") thick giving it virtually unlimited hull mounting options for full/partial wraps, maintaining the laminar flow of the vessel.

The Allure 150/250XFM Gen2 MK2 series comes with an improved locking ring, similar to the larger 2010/3010 models. This eases access to the light body when upgrading or maintenance is required.

With approval by ABS and RINA, the Allure Series is trusted by boat builders and owners worldwide.

Suitable for Fibreglass, GRP and wooden hulls. Also suitable for aluminium/steel hulls using the Delrin Isolation Sleeve accessory. Deutsch plug-and-play quick connectors make this light a quick fit.

- Low profile Alu Bronze bezel
- Maintenance / upgradeable without hauling
- Suitable for all hull types and sizes
- Easy to clean

PRIMARY/SECONDARY BEAM

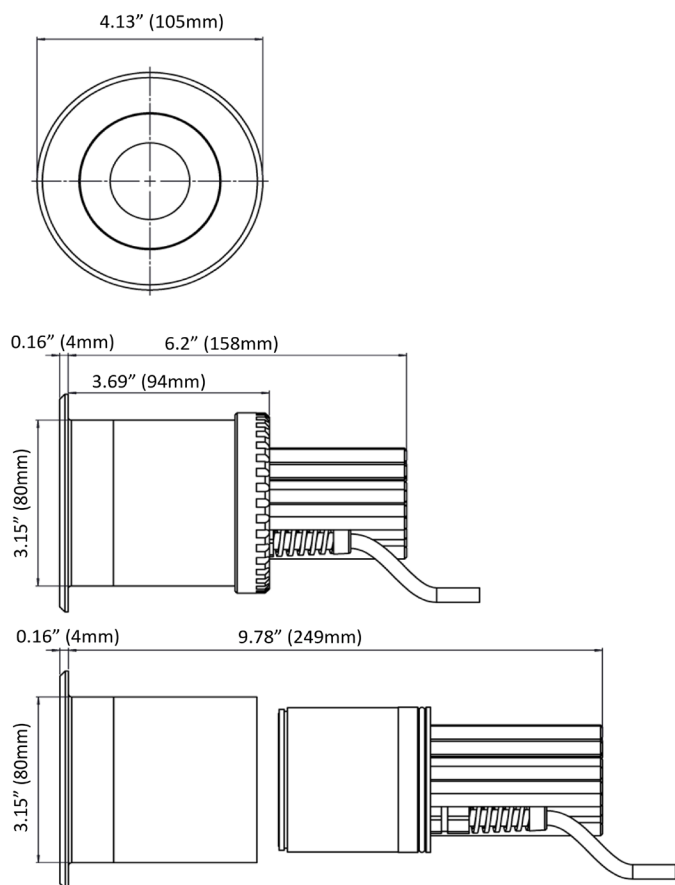
A focused, primary 36° beam with a diffused wider 110° spread.

LOW PROFILE BEZEL

At only 4mm (0.16") thick, the Alu Bronze bezel gives virtually unlimited hull mounting options.

EASY TO CLEAN

Thanks to its Tritonium coating, a simple wipe of the lens removes any underwater growth, saving hours of scrubbing each time you use it.



| | |
|---|------------|
| 2m (6.5') Plug & Play Extension Cable | 001-500753 |
| 6m (19.5') Plug & Play Extension Cable | 001-500754 |
| Delrin Isolation Sleeve for 150XFM / 250XFM | 001-500638 |
| 4 Way V DC Power Junction Box | 019901 |

MOUNTING RECOMMENDATIONS

| | |
|--|----------------|
| Transom / Hull spacing | 1-1.5m (3-5') |
| Transom quantity | 2-6 |
| Hull quantity | 4+/side |
| Maximum hull thickness | 70mm (2.76") |
| Installation depth (to top of fixture) | 10-20cm (4-8") |

TECHNICAL

| | |
|--|------------------------------------|
| Lumens | 9900 |
| Fixture Lumens | 6500 |
| Typical LED life expectancy | 40,000+ Hours |
| Minimum-Maximum operating voltage DC | 9-32V DC |
| Minimum-Maximum operating voltage AC | 100-240vAC |
| Current / Amp draw (DC) | 12V DC 5.3A 24V DC 2.4A |
| Current / Amp draw (AC) | 640mA @ 110v AC 320mA @ 240v AC |
| Approx. light penetration (avg. water quality) | 11m (36') |
| Approx. Light penetration (perfect water) | up to 26+m (85') |
| Driver type | External |

PHYSICAL

| | |
|--|--------------------------------------|
| Total weight including electrical driver | 8.25kg |
| Driver size (L x W x H) Excluding Connectors | 180x80x50mm (7.09 x 3.15 x 1.97") |
| Driver size AC (L x W x H) Excluding Connectors | 195x60x40 (7.7x2.36x1.57") |
| Extension cable length (standard) | 2m (6.5') |
| Hole cut-out | 83mm (3.25") |
| Hole cut-out with Delrin Sleeve | 89mm (3.5") |
| Mounting Tube Material | Aluminium Bronze AB2 |
| Light Cartridge | Anodised Aluminium |

*Fixture Lumens rating is a measurement of total light output from a finished lighting fixture. This measurement can only be obtained from either a Goniophotometer or an Integrating sphere. Fixture Lumens is the most reliable, professional measurement of light output.