



The Allure 150XFM is a compact but powerful Xchangeable Flush Mount light for fiberglass, GRP, wooden, aluminium and steel hulls.

KEY FEATURES



Up To 6,500 Fixture Lumens



36° Primary Beam



110° Secondary Diffused Beam



Circular Beam

COLOUR PART#



Ultra White DC  
**010233W**



Midnight Blue DC  
**010234B**



Ultra White AC  
**010237W**



Midnight Blue AC  
**010238B**

Xchangeable Flush Mount (XFM) is designed to be exchanged without hauling should servicing or upgrading ever be needed. The Allure XFM features an exceptionally low profile bezel, only 4mm (0.16") thick giving it virtually unlimited hull mounting options for full/partial wraps, maintaining the laminar flow of the vessel.

The Allure 150/250XFM Gen2 MK2.2 series comes with an improved locking ring, similar to the larger 2010/3010 models. This eases access to the light body when upgrading or maintenance is required.

With approval by ABS and RINA, the Allure Series is trusted by boat builders and owners worldwide.

Suitable for Fibreglass, GRP and wooden hulls. Also suitable for aluminium/steel hulls using the Delrin Isolation Sleeve accessory. Deutsch plug-and-play quick connectors make this light a quick fit.

- Low profile Alu Bronze bezel
- Maintenance / upgradeable without hauling
- Suitable for all hull types and sizes
- Easy to clean

## PRIMARY/SECONDARY BEAM

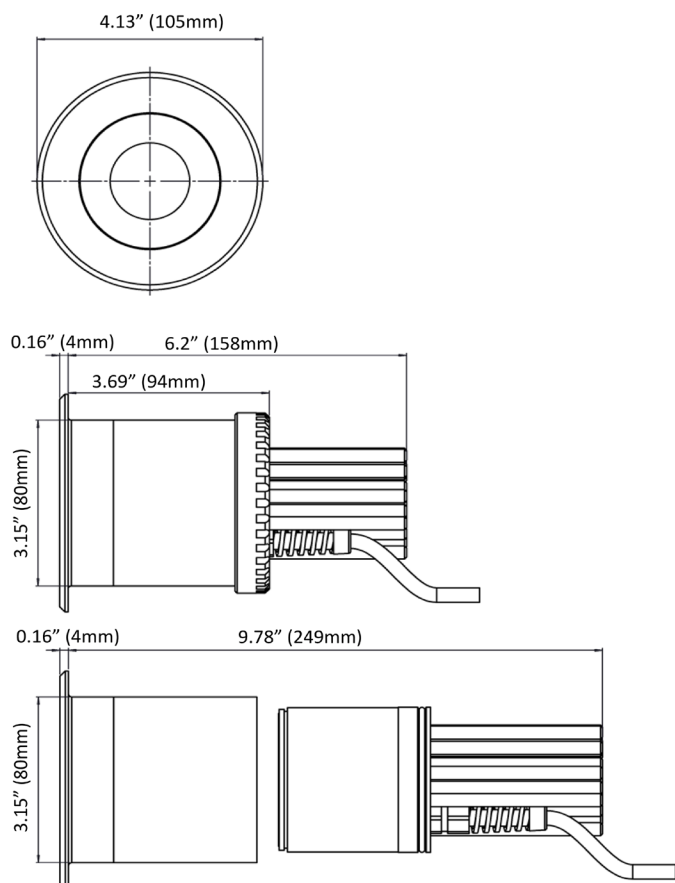
A focused, primary 36° beam with a diffused wider 110° spread.

## LOW PROFILE BEZEL

At only 4mm (0.16") thick, the Alu Bronze bezel gives virtually unlimited hull mounting options.

## EASY TO CLEAN

Thanks to its Tritonium coating, a simple wipe of the lens removes any underwater growth, saving hours of scrubbing each time you use it.



## ALLURE 150XFM

### BOX CONTENTS

Light Engine with 1.8m / 6' Connection Cable

Driver with Power Cable

1.8m / 6' Connection Cable

Installation Manual

### ACCESSORIES

### PART

2m (6.5') Plug & Play Extension Cable	001-500753
6m (19.5') Plug & Play Extension Cable	001-500754
Delrin Isolation Sleeve for 150XFM / 250XFM	001-500638
4 Way V DC Power Junction Box	019901

### MOUNTING RECOMMENDATIONS

Transom / Hull spacing	1-1.5m (3-5')
Transom quantity	2-6
Hull quantity	4+/side
Maximum hull thickness	70mm (2.76")
Installation depth (to top of fixture)	10-20cm (4-8")

### TECHNICAL

Lumens	9900
Fixture Lumens	6500
Typical LED life expectancy	40,000+ Hours
Minimum-Maximum operating voltage DC	9-32V DC
Minimum-Maximum operating voltage AC	100-240vAC
Current / Amp draw (DC)	12V DC 5.3A 24V DC 2.4A
Current / Amp draw (AC)	640mA @ 110v AC 320mA @ 240v AC
Approx. light penetration (avg. water quality)	11m (36')
Approx. Light penetration (perfect water)	up to 26+m (85')
Driver type	External

### PHYSICAL

Total weight including electrical driver	8.25kg
Driver size (L x W x H) Excluding Connectors	180x80x50mm (7.09 x 3.15 x 1.97")
Driver size AC (L x W x H) Excluding Connectors	195x60x40 (7.7x2.36x1.57")
Extension cable length (standard)	2m (6.5')
Hole cut-out	83mm (3.25")
Hole cut-out with Delrin Sleeve	89mm (3.5")
Mounting Tube Material	Aluminium Bronze AB2
Light Cartridge	Anodised Aluminium

\*Fixture Lumens rating is a measurement of total light output from a finished lighting fixture. This measurement can only be obtained from either a Goniophotometer or an Integrating sphere. Fixture Lumens is the most reliable, professional measurement of light output.