

Xchangeable Flush Mounts, are just that - they're exchangeable without hauling should servicing ever be needed.

KEY FEATURES



Up To 7,000 Fixture Lumens



60° Top Beam



20° Side Beam



Elliptical Beam

COLOURS PART#



Colours
001-500747

Colours utilize the very latest 4-channel RGBW High Definition LEDs. Controlled via DMX-512 through the vessel's on-board systems, or wirelessly via third party devices such as an iPad, iPhone or Android, Colours allows you to preprogram more than 40 static and dynamic colour scenes to set the mood, enhance an on-board event or strobe to attract fish.

XFM models, or Xchangeable Flush Mounts, are just that - they're exchangeable without hauling should servicing or upgrading ever be needed. Their exceptionally low profile head offers virtually unlimited hull mounting options. Can be retrofitted into most existing underwater lighting hole cut-outs.

Deutsch plug-and-play quick connectors make this light a quick fit. Maintenance is easy; just wipe away marine growth from its scratch resistant Tritonium™ glass lens.

With approval by ABS and RINA, the Pro Series HD is trusted by boat builders and owners worldwide.

- Xchangeable from Inside the Hull
- Virtually unlimited hull mounting options
- Aluminium Bronze AB2

DMX COLOURS CONTROL

Colours utilize the very latest 4-channel RGBW (Red/Green/Blue/White) High Definition LEDs. Controlled via DMX-512 through the vessel's on-board systems, or wirelessly via third party devices such as an iPad, iPhone or Android. Use with OceanDMX or with a suitable controller.

60/20° ELLIPTICAL BEAM ANGLE

A wide-angled, focused beam lights up a large area of the water.

XCHANGEABLE FLUSH MOUNT

Exchangeable without hauling should servicing or upgrading ever be needed. The exceptionally low profile head offers virtually unlimited hull mounting options, including retrofitting into most existing underwater lighting hole cut-outs.

RETROFITTING

Retrofit with XFM for benefits of no startup power surge, low heat, minimal maintenance, and improved light output compared to metal halide.

EASY TO CLEAN

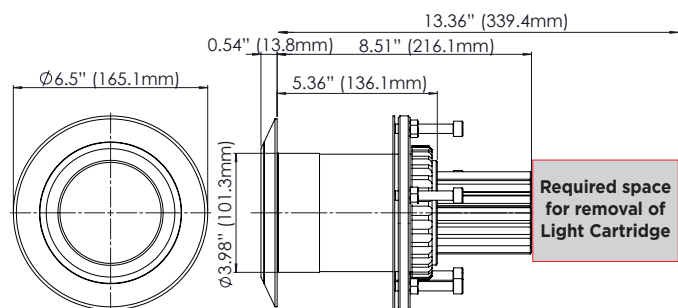
Thanks to its Tritonium coating, a simple wipe of the lens removes any underwater growth, saving hours of scrubbing each time you use it.

PLUG AND PLAY

Deutsch plug-and-play quick connectors make this light a quick fit.

ACTIVE THERMAL CONTROL

ATC prevents overheating. In the event of overheating the ATC system will reduce the LED power level in order to protect the LEDs, or in



COLOURS XFM HD Gen2

BOX CONTENTS

Light Engine
12/24V DC Driver w/Power Cable
2m/6' Connection Cable
Quick Install Guide

ACCESSORIES	PART
Delrin Isolation Sleeve for Colours XFM	001-500164
Locking Nut Kit for 2010 XFM	001-500398
2m (6.5') Plug & Play Ext Cable	001-500753
6m (19.5') Plug & Play Ext Cable	001-500754
IP68 DMX DIY Cap	001-500463
DMX Colours Connection Cable (3 Meter) (Included w/COLOURS Driver)	001-500594
Colours Terminator Kit (Included with DMX Controller)	001-500467
OceanDMX Pro Series App Controller Kit	011705
DMX Touch Panel Controller (includes 1 Terminator Kit)	001-500596
DMX Wifi Touch Panel Controller (includes 1 Terminator Kit)	001-500598

MOUNTING RECOMMENDATIONS

Boat size	up to & over 65' (20m)
Transom / Hull spacing	3-5' (1-1.5m)
Transom quantity	2-6
Maximum hull thickness	3.5" (90mm)
Installation depth (to top of fixture)	8-10" (200-250mm)

TECHNICAL

Lumens	11400
Fixture Lumens	7000
Typical LED life expectancy	40,000+ Hours
Minimum-Maximum operating voltage AC	90-270V AC
Current / Amp draw AC	110V AC 50/60HZ 2.5A 240V AC 50/60HZ 1.1A
App. light penetration (avg. water quality)	59' (18m)
App. Light penetration (perfect water quality)	up to 140' (45+m)
Driver type	External

PHYSICAL

Driver size (L x W x H) Excluding Connectors	360 x 160 x 90mm (143/16 x 61/4 x 3.5")
Total weight	6.6lbs (3kgs)
Extension cable length (standard)	6.5' (2m)
Hole cut-out	4" (100mm)
Material	Aluminium Bronze AB2

*Fixture Lumens rating is a measurement of total light output from a finished lighting fixture. This measurement can only be obtained from either a Goniophotometer or an Integrating sphere. Fixture Lumens is the most reliable, professional measurement of light output. OceanLED has heavily invested in these measurement apparatus and has had all its data verified by the Lighting Association of Great Britain.